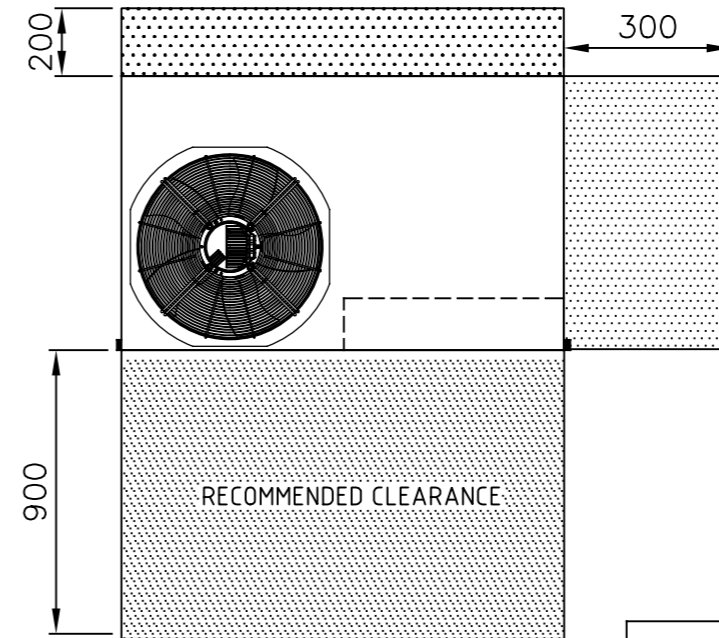


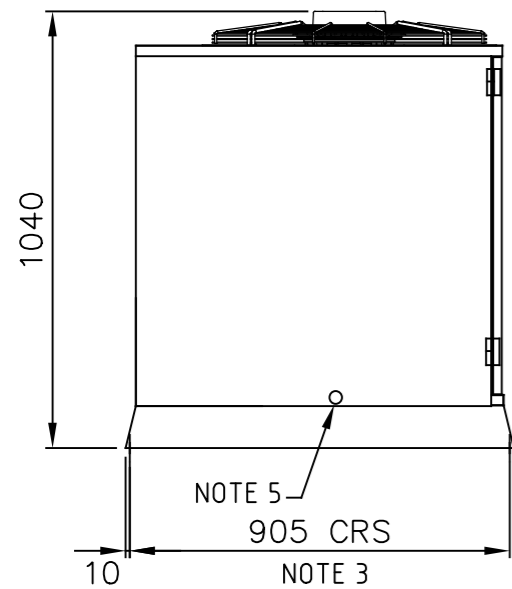
PLAN VIEW



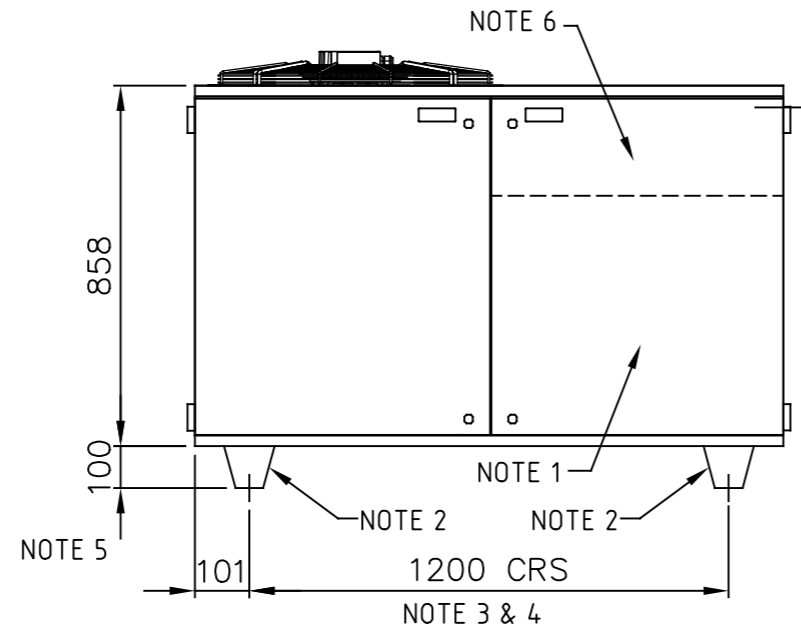
CLEARANCE DETAIL
NTS

- NOTE:**
1. CABINET SERVICE ACCESS.
 2. TRANSPORTATION FEET (REMOVAL IS OPTIONAL).
 3. AV MOUNTING LOCATIONS
 4. RECOMMENDED LIFTING POINTS SLING THROUGH TRANSPORTATION FEET, SEE NOTE 2. SPREADER BARS MUST BE USED.
 5. CONDENSATE DRAIN (Ø20mm PVC).
 6. ELECTRICAL SWITCHBOARD.
 7. ELECTRICAL ENTRY (1 x Ø20mm & 1 x Ø25mm)
 8. REFRIGERATION PIPING (SEE THE TABLE BELOW)

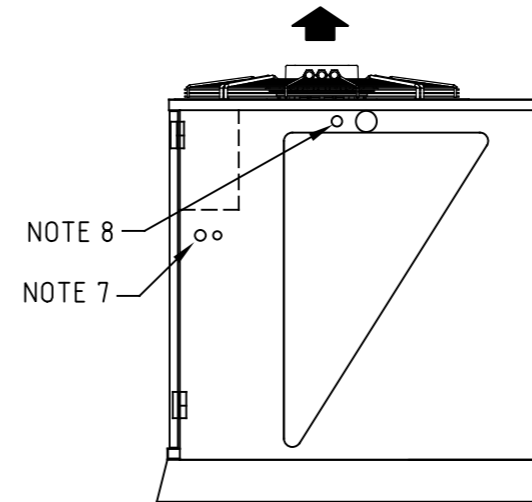
	SUCTION	LIQUID	REHEAT (OPTIONAL)	HOT GAS BYPASS (OPTIONAL)
HOA012-017R3AC	1 X 7/8"	1 X 1/2"	1 X 1/2"	1 X 1/2"
HOA012-017C3AC	1X 7/8"	1 X 1/2"	1 X 1/2"	1 X 1/2"
HRX012-017R3AC	1 X 1/2"	1 X 1/2"		
HRX012-017C3AC	1 X 1/2"	1 X 1/2"		



LHS VIEW




FRONT VIEW



RHS VIEW

REV	DATE	DETAILS
1	11.04.2019	NOTES UPDATED
2	30.06.2020	CLEARANCES UPDATED
3	18.02.2022	AV MOUNT UPDATED
4	30.05.2022	VIEW LABELS UPDATED

DRAWING No.		REVISION	4	 COMM AIR AUSTRALIA AIR CONDITIONING MANUFACTURERS ACN 140 272 171 68 COCOS DRIVE BIBRA LAKE (08)92449288	HOA012R3AC, HOA012C3AC, HOA015R3AC, HOA015C3AC	<ul style="list-style-type: none"> • ALL DIMENSIONS IN mm. • GENERAL TOLERANCE ±1mm. • DO NOT SCALE DRAWING. • MASTER DRAWINGS ARE HELD ELECTRONICALLY. ANY COPY IS DEEMED UNCONTROLLED AND THEREFORE NOT NECESSARILY THE LATEST REVISION. • ALL INFORMATION REMAINS THE PROPERTY OF THE COMPANY.
CAG012018		DATE	30.05.2022		HOA017R3AC, HOA017C3AC, HRX012R3AC, HRX012C3AC	
CUT SIZE	-----	SCALE	1 : 35	HRX015R3AC, HRX015C3AC, HRX017R3AC, HRX017C3AC		
MATERIAL	-----	DRAWN	EW			
QUANTITY	-----	APPROVED	MD			

GENERAL ARRANGEMENT