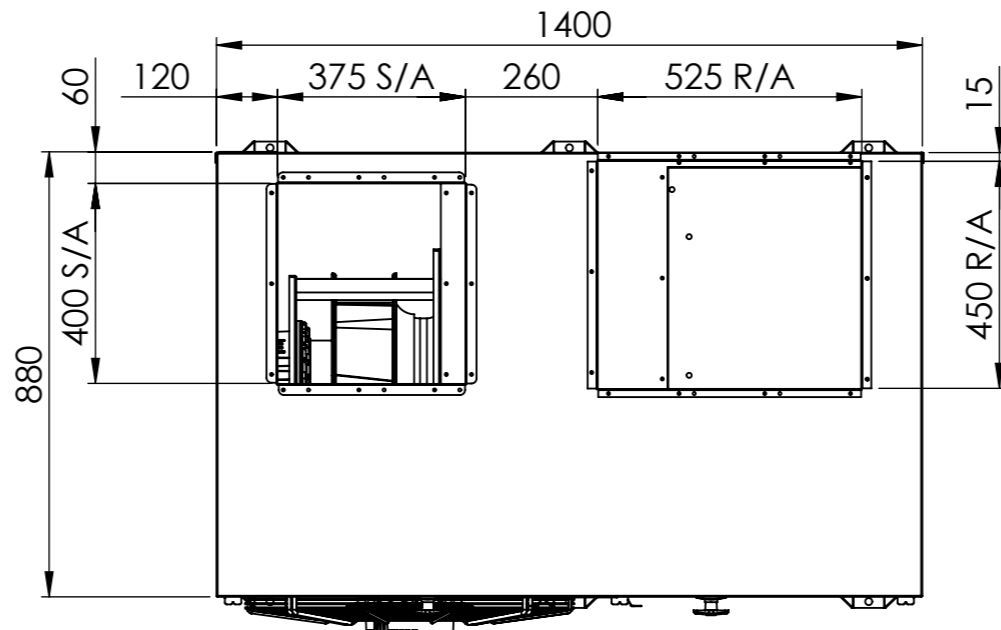
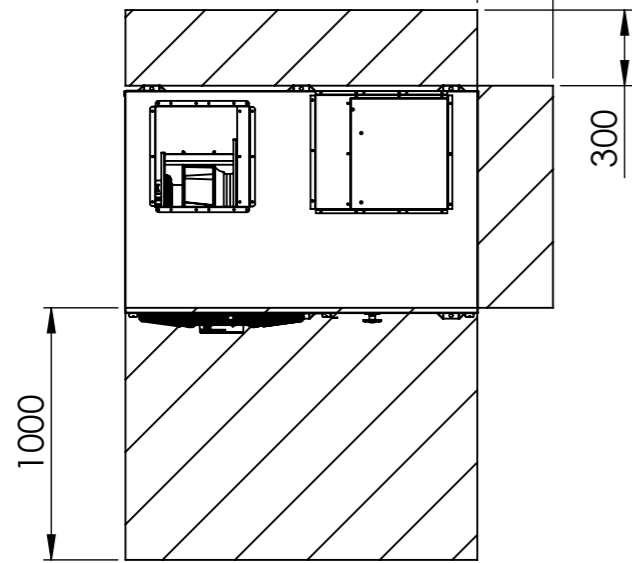


REVISIONS			
REV.	REV BY	DATE	DETAILS
2	EW	29/09/2022	LIFTING LUGS REMOVED

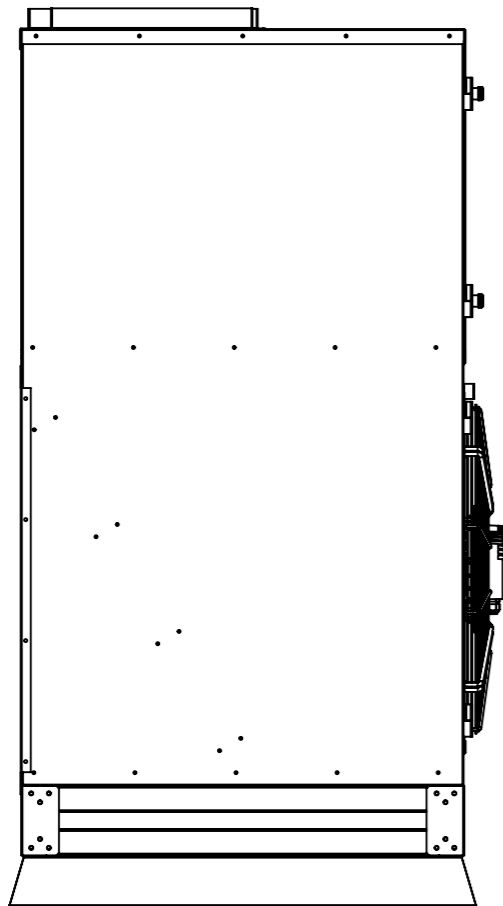
CLEARANCE DETAIL
NTS



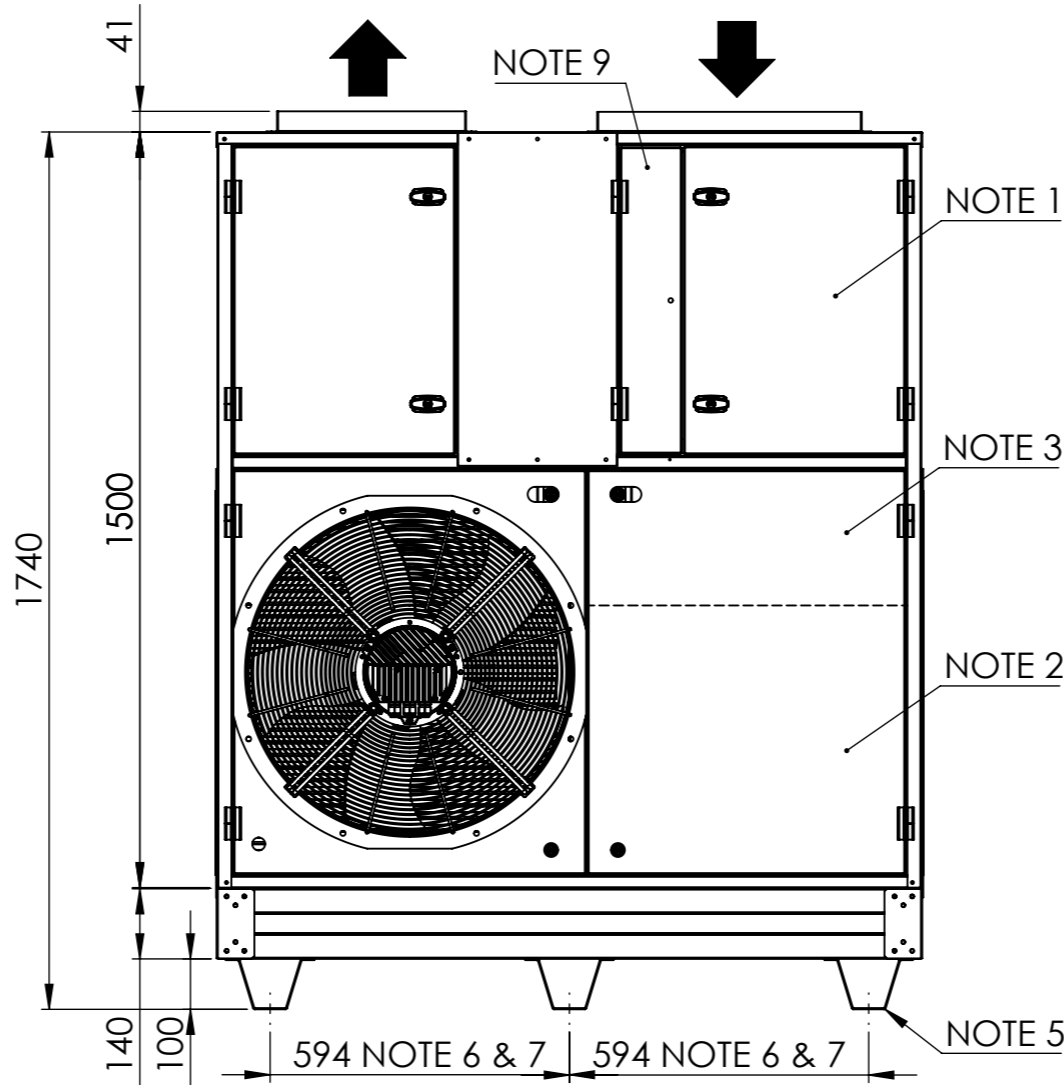
PLAN VIEW

NOTE:

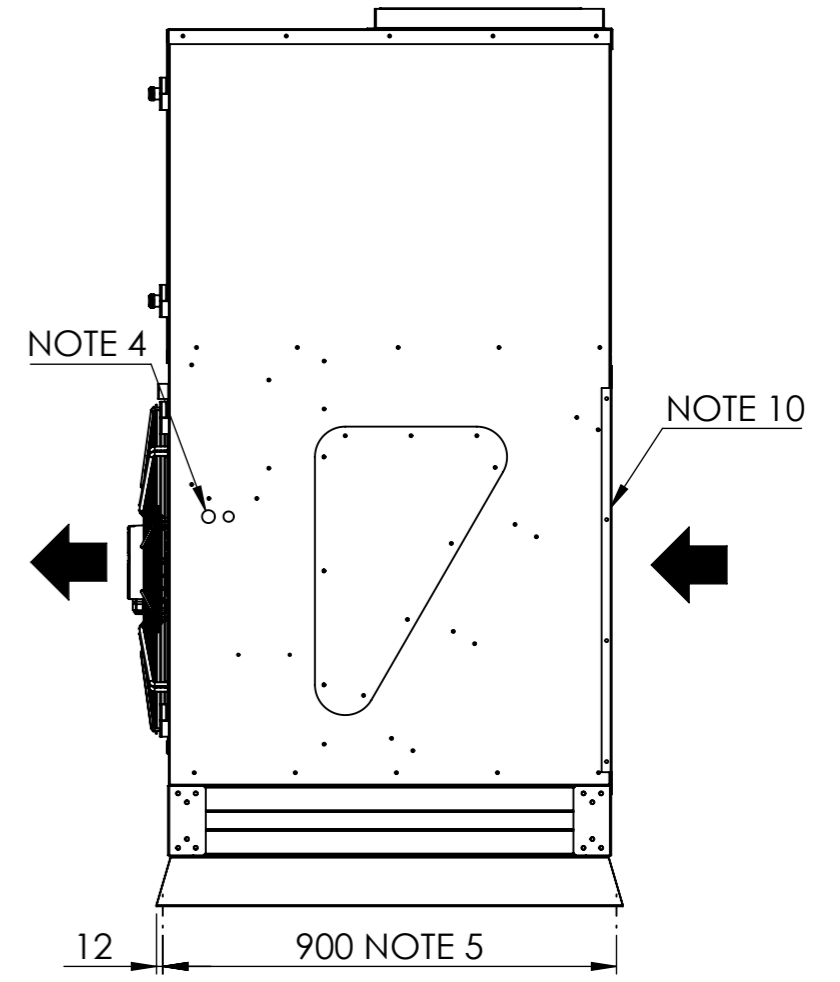
1. EVAPORATOR CABINET SERVICE ACCESS
2. COMPRESSOR CABINET SERVICE ACCESS
3. ELECTRICAL SWITCH BOARD
4. ELECTRICAL ENTRY (Ø20 mm & Ø25 mm)
5. TRANSPORTATION FEET
6. AV MOUNTING LOCATIONS (Ø14 mm)
7. RECOMMENDED LIFTING POINTS (SPREADER BARS REQUIRED)
8. EVAPORATOR COIL CONDENSATE DRAIN (Ø20 mm PVC)
9. AIR FILTER (50 mm PLEATED & WASHABLE) (COMES STANDARD WITH UNIT)
10. COIL GUARD AVAILABLE (OPTIONAL)



LHS VIEW



FRONT VIEW



RHS VIEW

DWG NO. **CAG012032**

REVISION	2	DO NOT SCALE DRAWING
DATE	29/09/2022	ORIGINAL SIZE:
SCALE	1:15	A3
DRAWN BY	EW	SHEET 1 OF 1
APPROVED BY	MD	

CAA
COMM AIR AUSTRALIA
AIR CONDITIONING MANUFACTURERS
ACN 140 272 171
68 COCOS DRIVE
BIBRA LAKE WA 6163
(08) 9244 9288

MODEL: VPA012C3AC, VPA012R3AC, VPA015C3AC, VPA015R3AC
VPA017C3AC, VPA017R3AC

DESCRIPTION:

GENERAL ARRANGEMENT

- ALL DIMENSIONS IN mm
- GENERAL TOLERANCE ± 1 mm
- DO NOT SCALE DRAWING
- MASTER DRAWINGS ARE HELD ELECTRONICALLY. ANY COPY IS DEEMED UNCONTROLLED AND THEREFORE NOT NECESSARILY THE LATEST REVISION
- ALL INFORMATION REMAINS THE PROPERTY OF COMM AIR AUSTRALIA PTY LTD