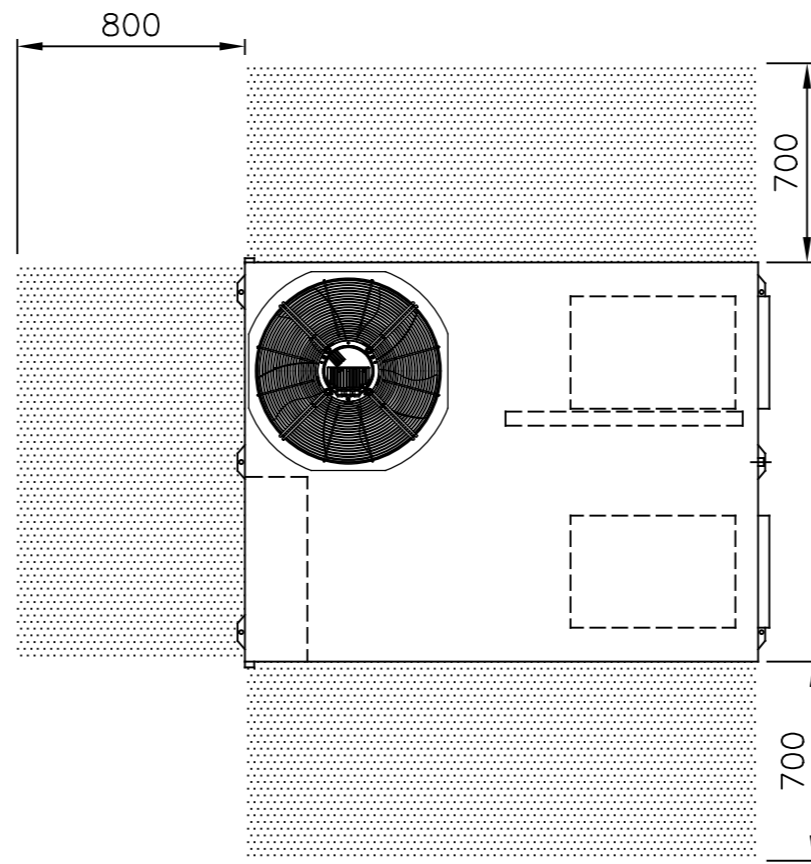


PLAN VIEW



CLEARANCE DETAILS

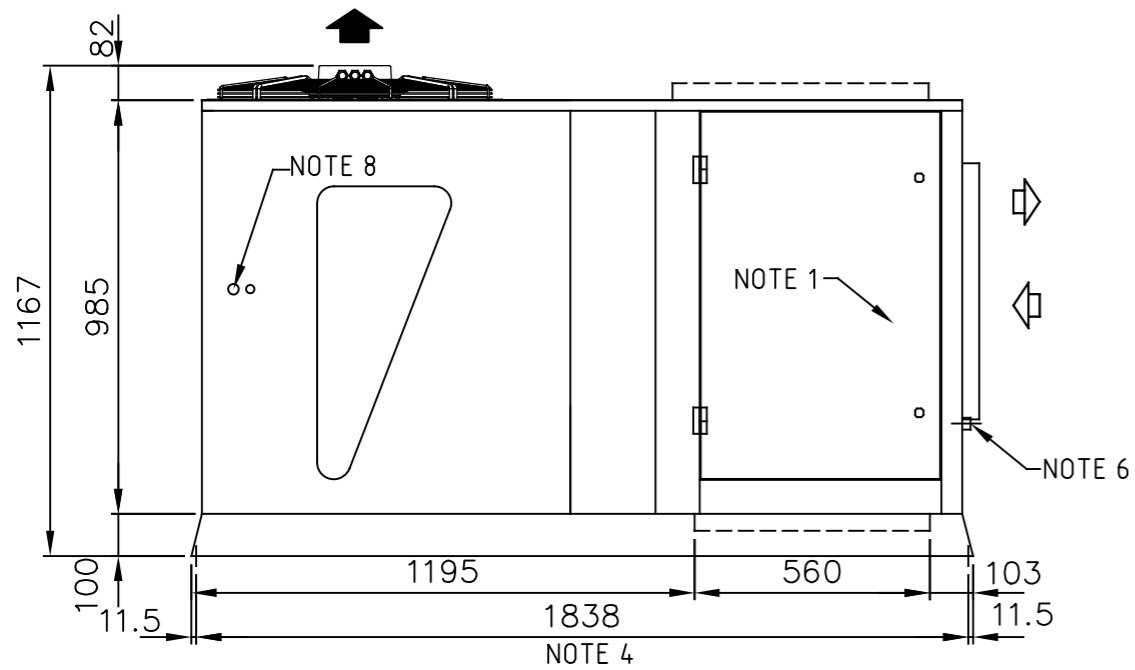
NOTES:

1. EVAPORATOR CABINET SERVICE ACCESS
2. CONDENSER CABINET SERVICE ACCESS.
3. TRANSPORTATION FEET (NOT REMOVABLE)
4. AV MOUNTING LOCATIONS
5. RECOMMENDED LIFTING POINTS
(SPREADER BARS MUST BE USED)
6. EVAPORATOR COIL CONDENSATE DRAIN ($\phi 20$ mm PVC)
7. ELECTRICAL SWITCH BOARD
8. ELECTRICAL ENTRY (1 x $\phi 20$ mm, 1 x $\phi 25$ mm)
9. AIR FILTER (50MM PLEATED, WASHABLE)- OPTIONAL
10. DUCTING OPTIONS:-

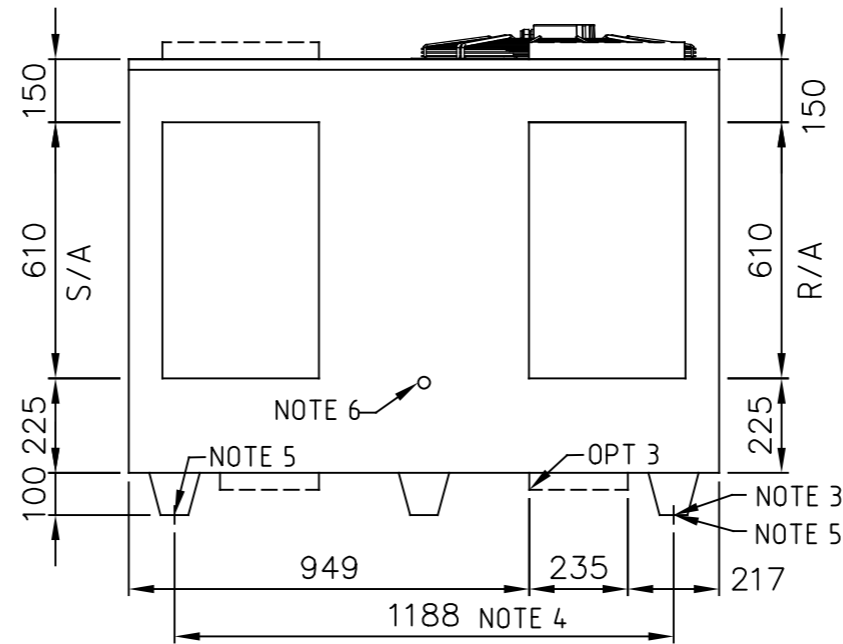
- OPTION 1 - TOP S/A
- OPTION 2 - TOP R/A
- OPTION 3 - BOT S/A

OPPOSITE HANDINGS FOR ALL OPTIONS

Unit weight:- 400 Kg



RHS VIEW



REAR VIEW

POINT LOADS (Kg)			
A	B	C	D
118	91	83	108

REV No	DATE	DETAILS
REV-1	25.08.2020	UNIT HEIGHT MODIFIED
REV-2	19.07.2021	BOT S/A ADDED
REV-3	26.07.2021	BOT S/A UPDATE
REV-4	25.05.2022	VIEW LABELS UPDATED

DRAWING No.

CAG012035

CUT SIZE
MATERIAL
QUANTITY

REVISION	REV-4
DATE	25.05.2022
SCALE	1 : 30
DRAWN	EW
APPROVED	MD

CAA
COMM AIR AUSTRALIA
AIR CONDITIONING MANUFACTURERS
ACN 140 272 171
68 COCOS DRIVE
BIBRALAKE WA6163
(08)92449288

HPA012R3AC, HPA012C3AC, HPA015R3AC, HPA015C3AC
HPA017R3AC, HPA017C3AC

GENERAL ARRANGEMENT

- ALL DIMENSIONS IN mm.
- GENERAL TOLERANCE ± 1 mm.
- DO NOT SCALE DRAWING.
- MASTER DRAWINGS ARE HELD ELECTRONICALLY. ANY COPY IS DEEMED UNCONTROLLED AND THEREFORE NOT NECESSARILY THE LATEST REVISION.
- ALL INFORMATION REMAINS THE PROPERTY OF THE COMPANY.