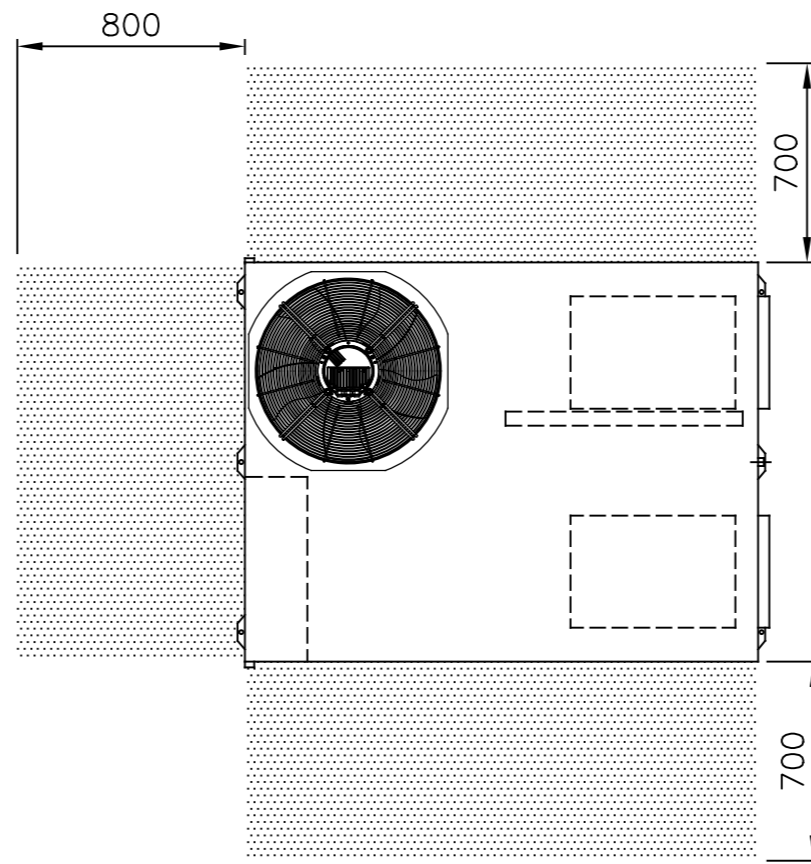


PLAN VIEW



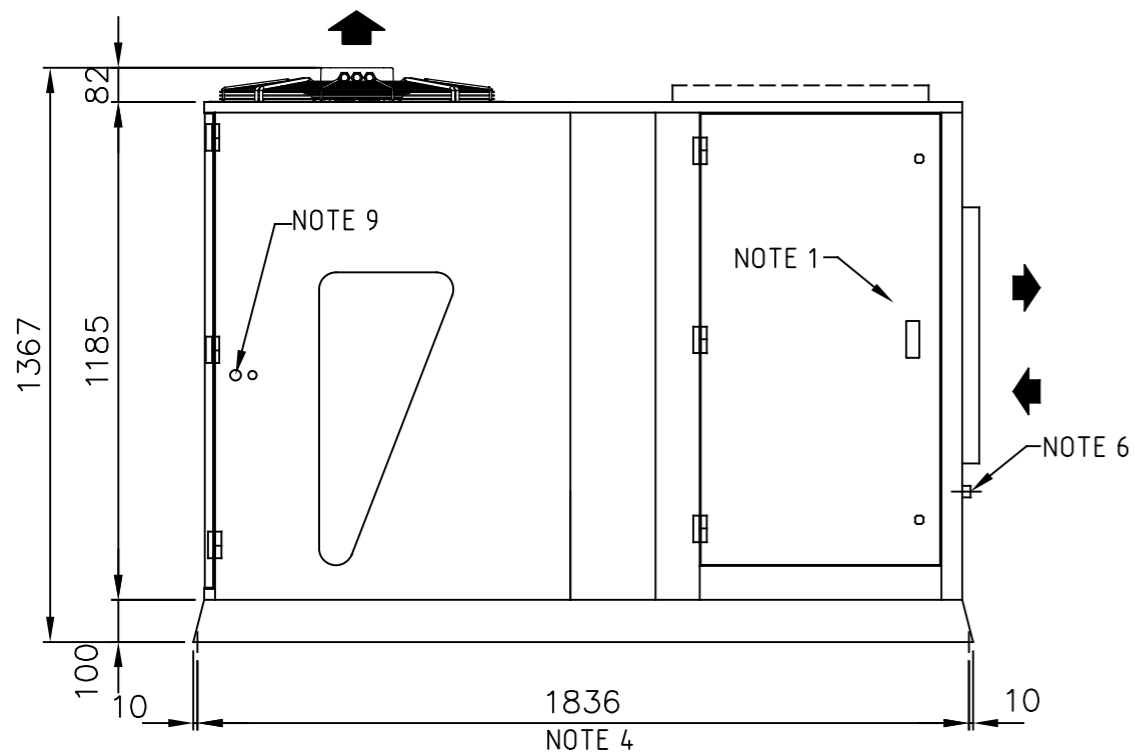
CLEARANCE DETAIL NTS

NOTES:

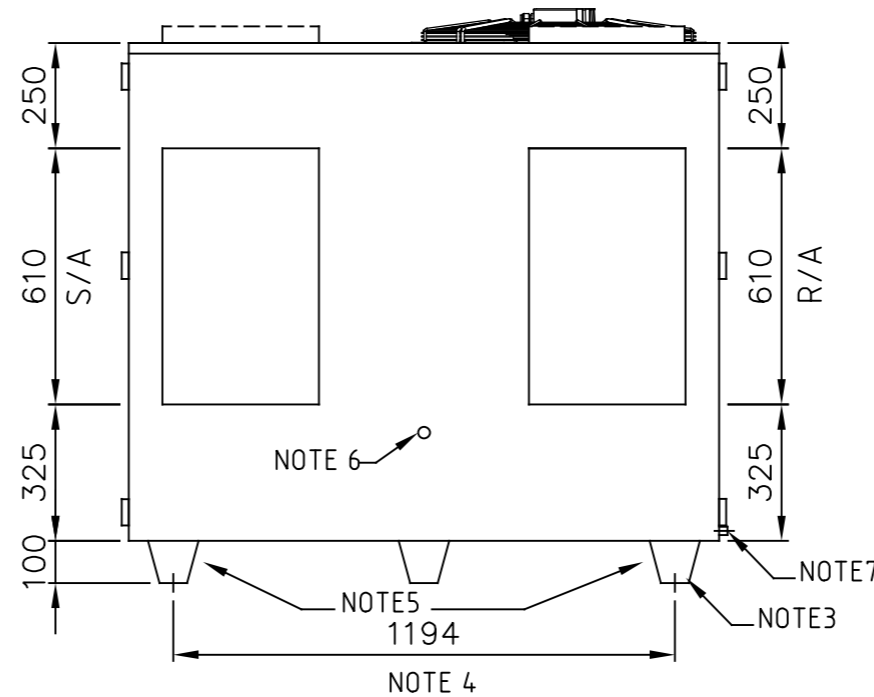
1. EVAPORATOR CABINET SERVICE ACCESS
2. CONDENSER CABINET SERVICE ACCESS.
3. TRANSPORTATION FEET (NOT REMOVABLE)
4. AV MOUNTING LOCATIONS
5. RECOMMENDED LIFTING POINTS
(SPREADER BARS MUST BE USED)
6. EVAPORATOR COIL CONDENSATE DRAIN ($\phi 20$ mm PVC)
7. CONDENSER COIL CONDENSATE DRAIN ($\phi 20$ mm PVC)
8. ELECTRICAL SWITCH BOARD
9. ELECTRICAL ENTRY (1 x $\phi 20$ mm, 1 x $\phi 25$ mm)
10. AIR FILTER (50MM PLEATED, WASHABLE)- OPTIONAL
11. DUCTING OPTIONS:-

- OPTION 1 - TOP S/A
- OPTION 2 - TOP R/A
- OPPOSITE HANDINGS FOR ALL OPTIONS

Unit weight:- 450 Kg



RHS VIEW



REAR VIEW

POINT LOADS (Kg)			
A	B	C	D
127	103	98	122

REVISION	DATE	DETAILS
1	25.05.2022	VIEW LABELS UPDATED

DRAWING No.

CAG020015

REVISION	1
DATE	25.05.2022
CUT SIZE	-----
MATERIAL	-----
QUANTITY	-----
SCALE	1 : 30
DRAWN	EW
APPROVED	MD

HPA020R3AC, HPA020C3AC, HPA022R3AC, HPA022C3AC

GENERAL ARRANGEMENT

- ALL DIMENSIONS IN mm.
- GENERAL TOLERANCE ± 1 mm.
- DO NOT SCALE DRAWING.
- MASTER DRAWINGS ARE HELD ELECTRONICALLY. ANY COPY IS DEEMED UNCONTROLLED AND THEREFORE NOT NECESSARILY THE LATEST REVISION.
- ALL INFORMATION REMAINS THE PROPERTY OF THE COMPANY.