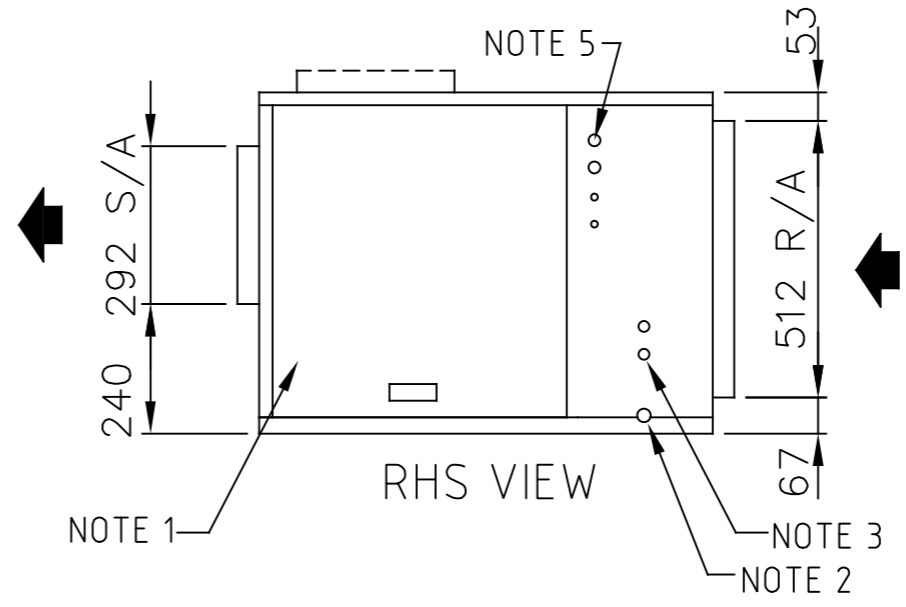
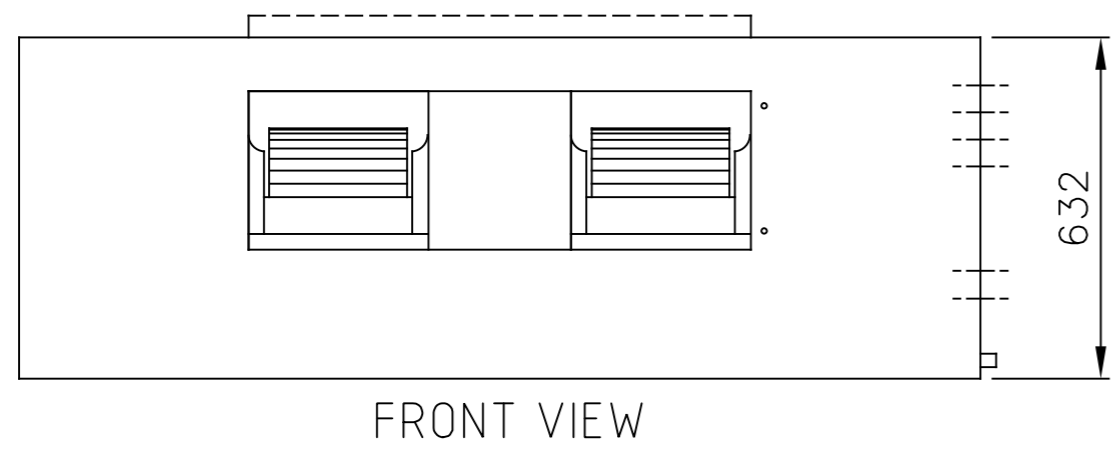



- NOTE:
1. CABINET SERVICE ACCESS.
  2. CONDENSATE DRAIN  
(1 x  $\phi$ 20mm PVC).
  3. ELECTRICAL ENTRY (2 x  $\phi$ 20mm).
  4. DUCTING OPTIONS - TOP S/A.
  5. REFRIGERATION PIPING  
(SEE THE TABLE BELOW)

	SUCTION	LIQUID	HEAT RECLAIM/ HOT GAS BYPASS (OPTIONAL)
HIA025-030R2AE	2 X 7/8"	2 X 1/2"	2 X 1/2"
HIA025-030C2AE	2 X 7/8"	2 X 1/2"	2 X 1/2"



REV	DATE	DETAILS
1	02.04.19	NOTES UPDATED
2	18.07.19	NOTES UPDATED
3	26.05.22	LABEL VIEWS UPDATED

DRAWING No.		REVISION	3	 <b>COMM AIR AUSTRALIA</b> AIR CONDITIONING MANUFACTURERS	HIA025R2AE, HIA025C2AE, HIA030R2AE, HIA030C2AE	<ul style="list-style-type: none"> <li>• ALL DIMENSIONS IN mm.</li> <li>• GENERAL TOLERANCE <math>\pm</math>1mm.</li> <li>• DO NOT SCALE DRAWING.</li> <li>• MASTER DRAWINGS ARE HELD ELECTRONICALLY. ANY COPY IS DEEMED UNCONTROLLED AND THEREFORE NOT NECESSARILY THE LATEST REVISION.</li> <li>• ALL INFORMATION REMAINS THE PROPERTY OF THE COMPANY.</li> </ul>
CAG025030		DATE	26.05.2022			
CUT SIZE	-----	SCALE	1 : 20	ACN 140 272 171 68 COCOS DRIVE BIBRA LAKE WA 6163 (08) 9244 9288	GENERAL ARRANGEMENT	
MATERIAL	-----	DRAWN	EW			
QUANTITY	-----	APPROVED	MD			