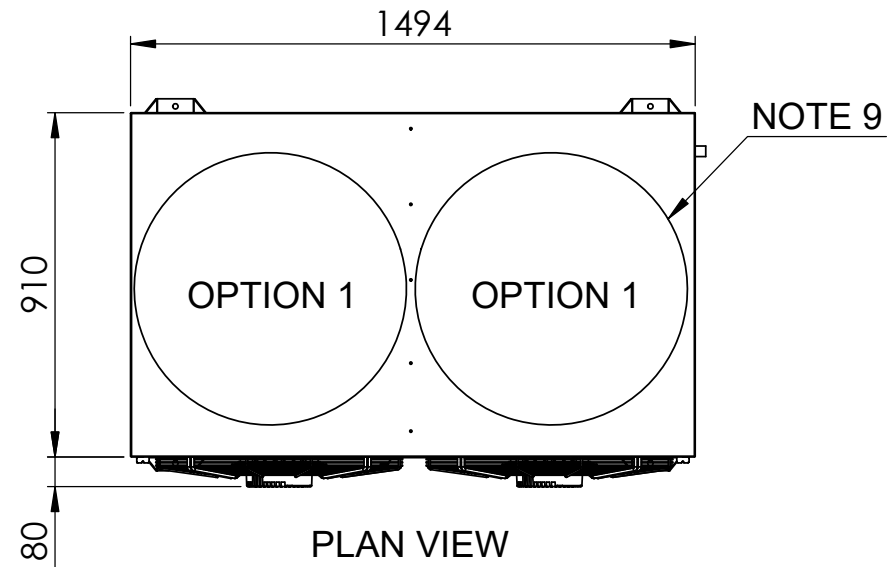
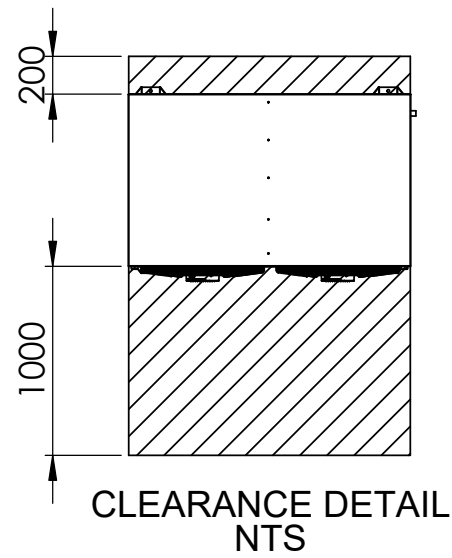


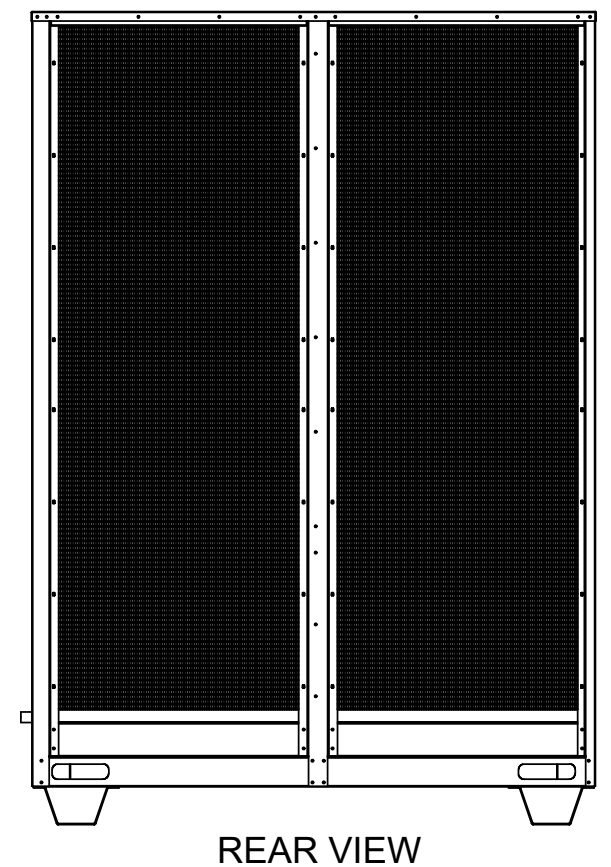
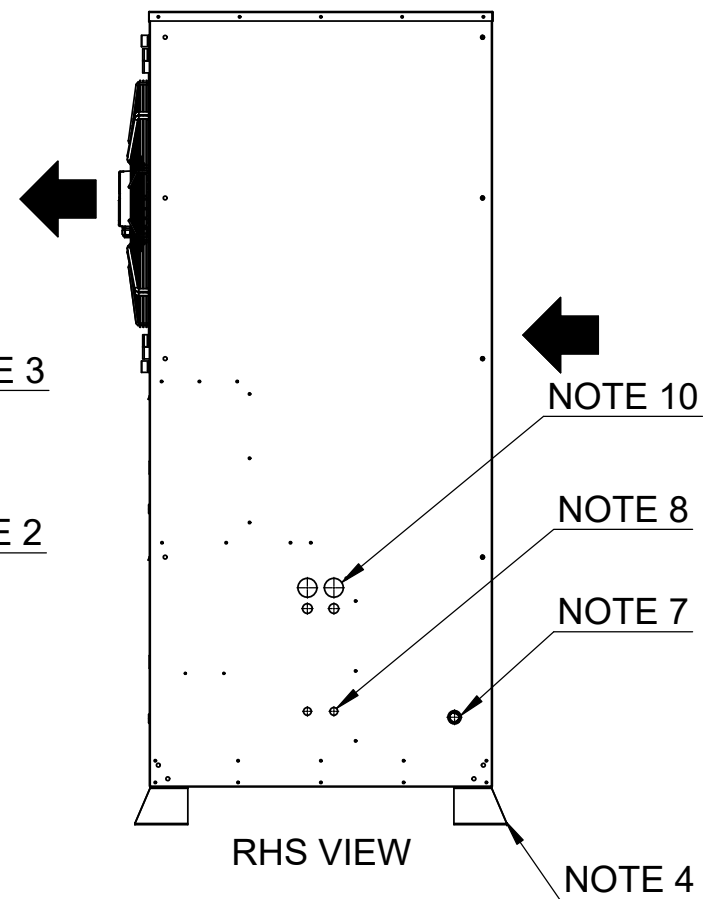
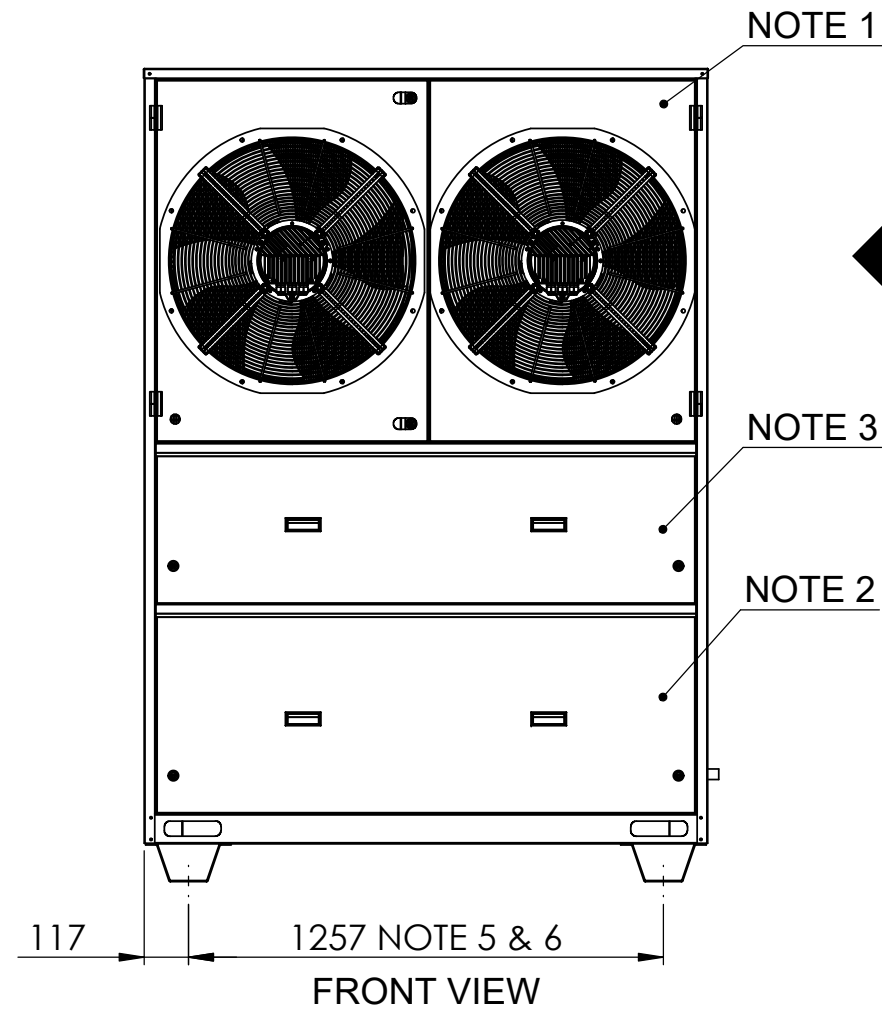
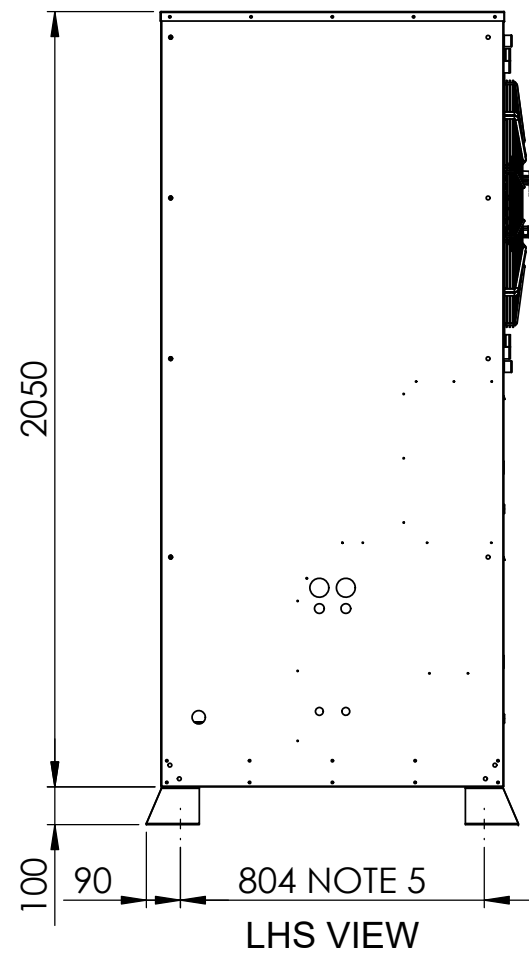
REVISIONS			
REV.	REV BY	DATE	DETAILS
1	SP	17/03/2020	NOTES UPDATED
2	EW	5/05/2022	REAR CLEARANCE UPDATED
3	EW	2/06/2022	VIEW LABELS UPDATED



NOTE:

1. CABINET SERVICE ACCESS
2. COMPRESSOR CABINET SERVICE ACCESS
3. ELECTRICAL SWITCH BOARD
4. TRANSPORTATION FEET (REMOVAL IS OPTIONAL)
5. AV MOUNTING LOCATIONS (Ø14 mm)
6. RECOMMENDED LIFTING POINTS (SPREADER BARS REQUIRED)
7. CONDENSER COIL CONDENSATE DRAIN (Ø20 mm PVC)
8. ELECTRICAL ENTRY (2x Ø20 mm)
9. OPTION 1: TOP CONDENSER FAN REFRIGERATION PIPING:

MODEL	SUCTION	LIQUID
VOA025-45C3AC	2 x 7/8"	2 x 1/2"
VOA025-45R3AC	2 x 7/8"	2 x 1/2"



DWG NO. **CAG025037**

REVISION	3	DO NOT SCALE DRAWING
DATE	2/06/2022	ORIGINAL SIZE: A3
SCALE	1:20	SHEET 1 OF 1
DRAWN BY	EW	APPROVED BY MD

CAA
COMM AIR AUSTRALIA
AIR CONDITIONING MANUFACTURERS
ACN 140 272 171
68 COCOS DRIVE
BIBRA LAKE WA 6163
(08) 9244 9288

MODEL:	VOA025C3AC, VOA025R3AC, VOA030C3AC, VOA030R3AC VOA035C3AC, VOA035R3AC, VOA045C3AC, VOA045R3AC VRX025C3AC, VRX025R3AC, VRX030C3AC, VRX030R3AC VRX035C3AC, VRX035R3AC, VRX040C3AC, VRX040R3AC
DESCRIPTION:	GENERAL ARRANGEMENT

- ALL DIMENSIONS IN mm
- GENERAL TOLERANCE ± 1 mm
- DO NOT SCALE DRAWING
- MASTER DRAWINGS ARE HELD ELECTRONICALLY. ANY COPY IS DEEMED UNCONTROLLED AND THEREFORE NOT NECESSARILY THE LATEST REVISION
- ALL INFORMATION REMAINS THE PROPERTY OF COMM AIR AUSTRALIA PTY LTD