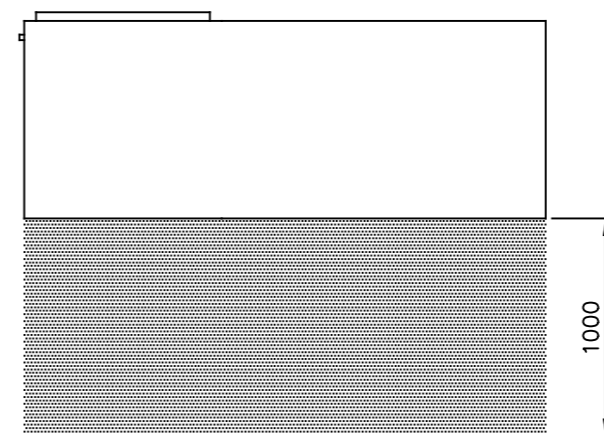


PLAN VIEW



CLEARANCE
DETAIL NTS

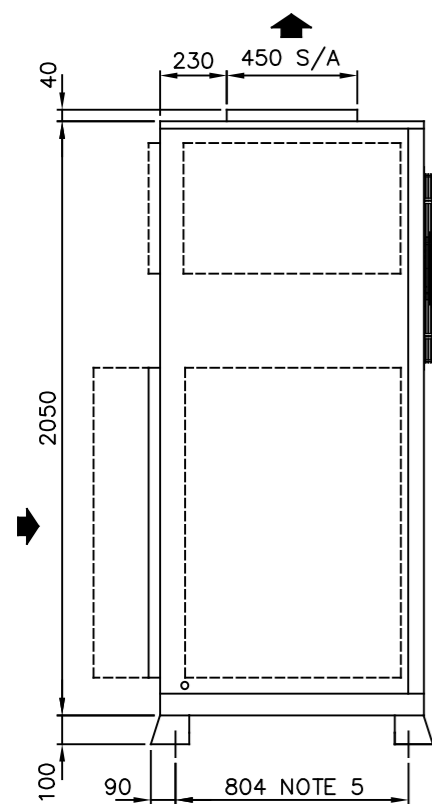
NOTE:

1. EVAPORATOR CABINET SERVICE ACCESS
2. CONDENSER CABINET SERVICE ACCESS
3. COMPRESSOR SERVICE ACCESS
4. TRANSPORTATION FEET
5. AV MOUNTING LOCATIONS
6. RECOMMENDED LIFTING POINTS
(SPREADER BARS REQUIRED)
7. EVAPORATOR CONDENSATE DRAIN (φ20 mm PVC)
8. CONDENSER CONDENSATE DRAIN (φ20 mm PVC)
9. ELECTRICAL SWITCHBOARD
10. ELECTRICAL ENTRY (2 x φ20 mm)
11. OPTIONAL AIR FILTER (50 mm PLEATED & WASHABLE)
12. OPTIONS:

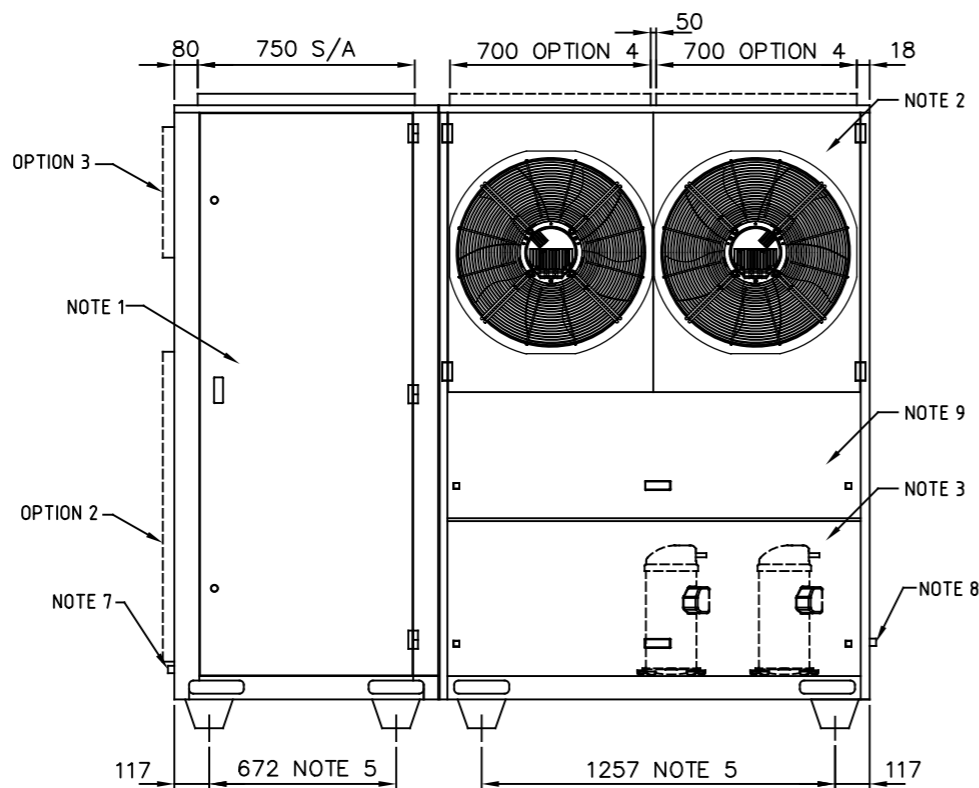
- OPTION 1 - REAR S/A
- OPTION 2 - SIDE R/A
- OPTION 3 - SIDE S/A
- OPTION 4 - TOP CONDENSER FAN DISCHARGE

OPPOSITE HANDINGS FOR ALL OPTIONS

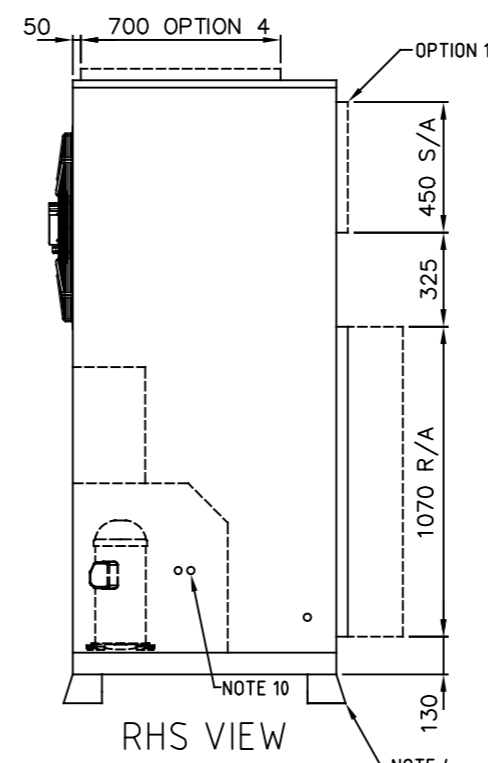
UNIT WIEGHT 710 kg



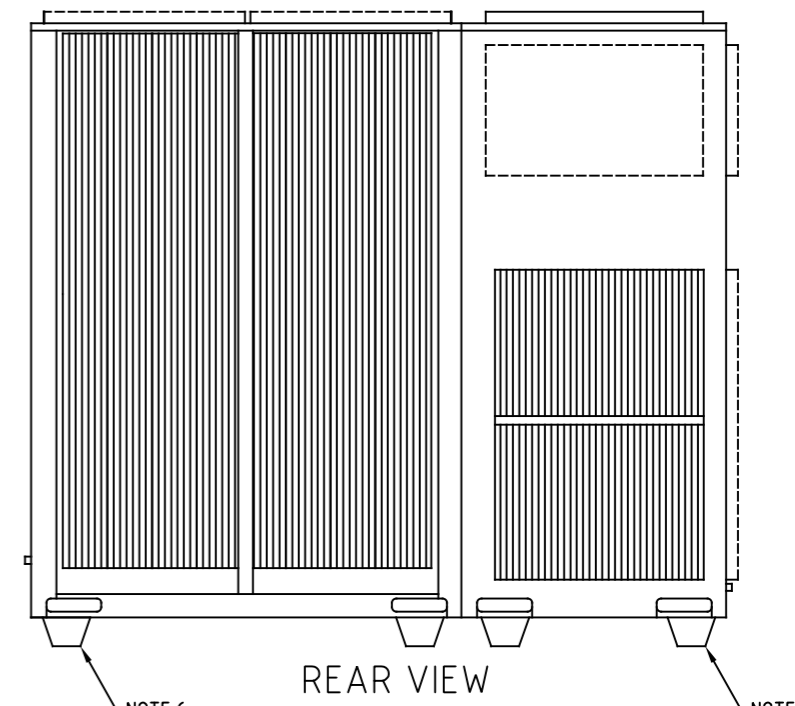
LHS VIEW



FRONT VIEW



RHS VIEW



REAR VIEW

REV	DATE	DETAILS
0	14.08.2017	ISSUED FOR MANUFACTURE
1	26.05.2022	VIEW LABELS UPDATED
2	3.11.2022	AV MOUNT DIMENSIONS UPDATED
3	18.04.2023	FAN CLEARANCE ADDED

DRAWING No.

CAG025047

REVISION	3
DATE	18.04.2023
CUT SIZE	-----
MATERIAL	-----
QUANTITY	-----
SCALE	1 : 25
DRAWN	EW
APPROVED	MD

CAA
COMM AIR AUSTRALIA
AIR CONDITIONING MANUFACTURERS
ABN 69 140 272 171
68 COCOS DRIVE
BIBRA LAKE WA 6163
(08) 9244 9288

VPA025C3AC, VPA025R3AC, VPA030C3AC, VPA030R3AC
VPA035C3AC, VPA035R3AC

GENERAL ARRANGEMENT

- ALL DIMENSIONS IN mm.
- GENERAL TOLERANCE ±1mm.
- DO NOT SCALE DRAWING.
- MASTER DRAWINGS ARE HELD ELECTRONICALLY. ANY COPY IS DEEMED UNCONTROLLED AND THEREFORE NOT NECESSARILY THE LATEST REVISION.
- ALL INFORMATION REMAINS THE PROPERTY OF THE COMPANY.