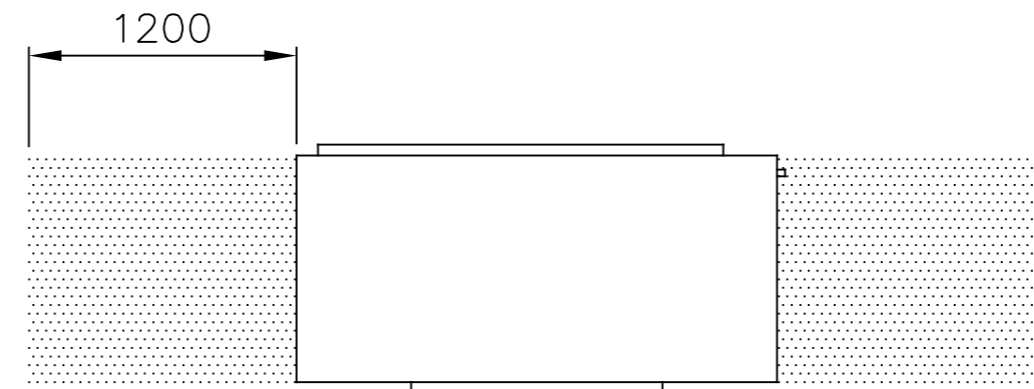


PLAN VIEW

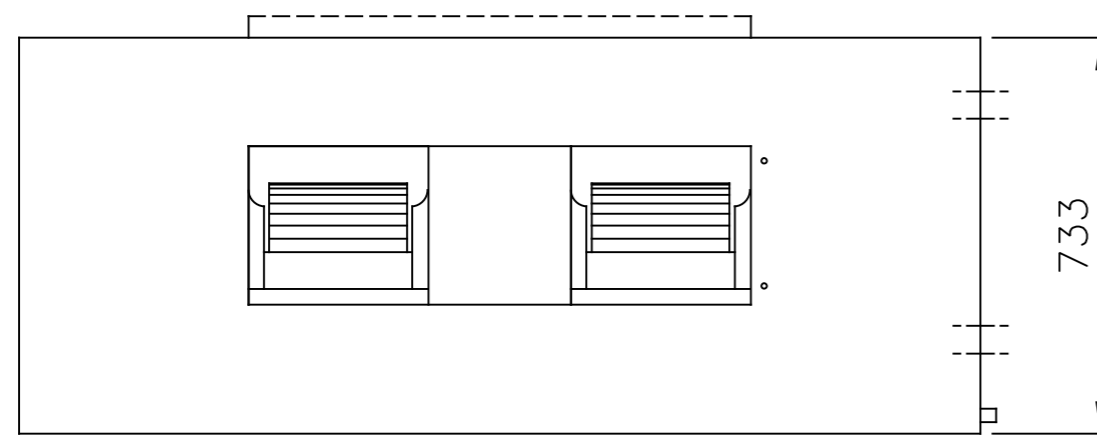


CLEARANCE DETAIL  
NTS

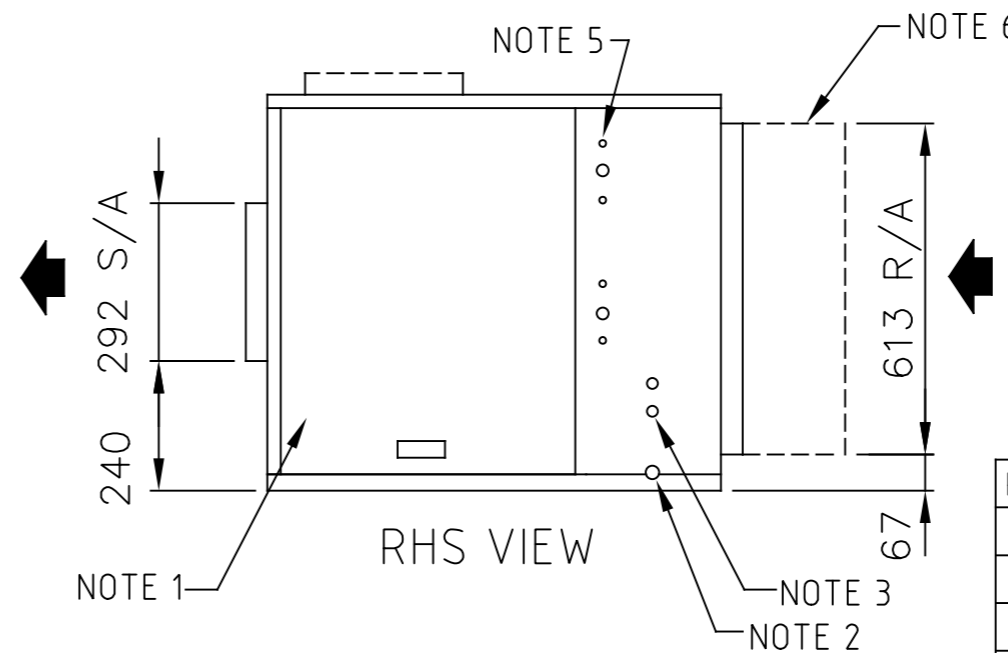
- NOTE:
1. CABINET SERVICE ACCESS
  2. CONDENSATE DRAIN  
(1 x  $\phi 20$  mm PVC)
  3. ELECTRICAL ENTRY (2 x  $\phi 20$  mm)
  4. DUCTING OPTIONS - TOP S/A
  5. REFRIGERATION PIPING  
(SEE TABLE BELOW)
  6. OPTIONAL AIR FILTER  
(50 mm PLEATED & WASHABLE)

POINT LOADS (kg)			
A	B	C	D
63.75	63.75	63.75	63.75

	SUCTION	LIQUID	HEAT RECLAIM/ HOT GAS BYPASS (OPTIONAL)
HIA035-038R2AE	2 X 7/8"	2 X 1/2"	2 X 1/2"
HIA035-038C2AE	2 X 7/8"	2 X 1/2"	2 X 1/2"



FRONT VIEW



RHS VIEW

REV	DATE	DETAILS
1	11.04.2019	NOTES UPDATED
2	22.07.2019	NOTES UPDATED
3	26.05.2022	VIEW LABELS UPDATED
4	20.06.2022	POINT LOADS ADDED
5	5.07.2022	AIR FILTER ADDED

DRAWING No.  
**CAG035001**

REVISION	5
DATE	5.07.2022
SCALE	1 : 20
DRAWN	EW
APPROVED	MD

ACN 140 272 171  
68 COCOS DRIVE  
BIBRA LAKE WA 6163  
(08) 9244 9288

HIA035R2AE, HIA035C2AE, HIA038R2AE, HIA038C2AE

GENERAL ARRANGEMENT

- ALL DIMENSIONS IN mm.
- GENERAL TOLERANCE  $\pm 1$ mm.
- DO NOT SCALE DRAWING.
- MASTER DRAWINGS ARE HELD ELECTRONICALLY. ANY COPY IS DEEMED UNCONTROLLED AND THEREFORE NOT NECESSARILY THE LATEST REVISION.
- ALL INFORMATION REMAINS THE PROPERTY OF THE COMPANY.