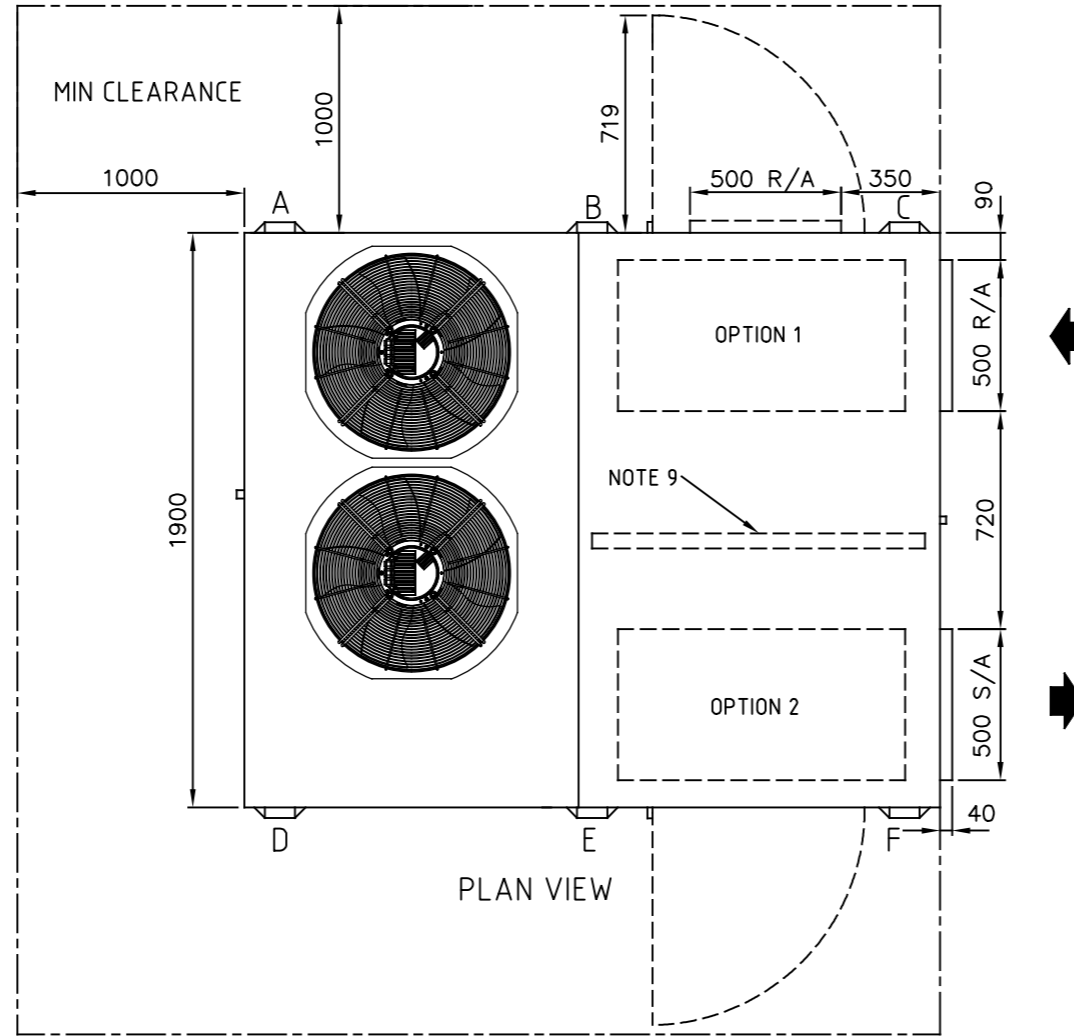


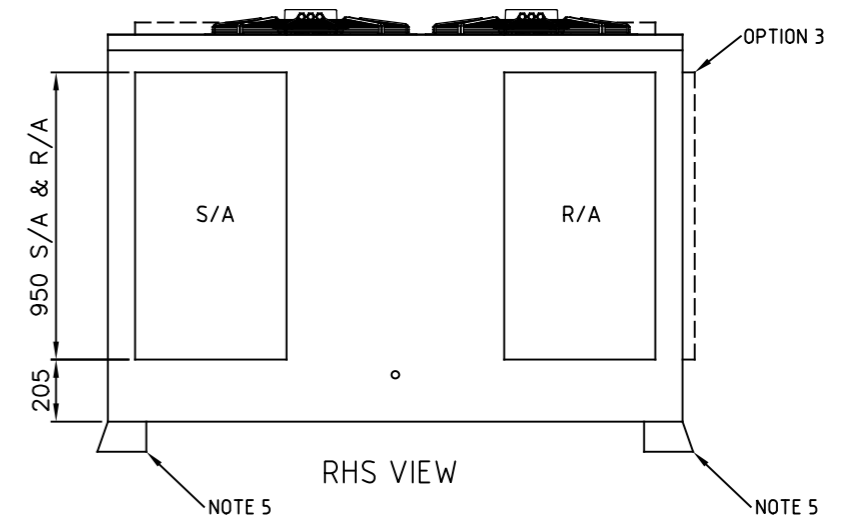
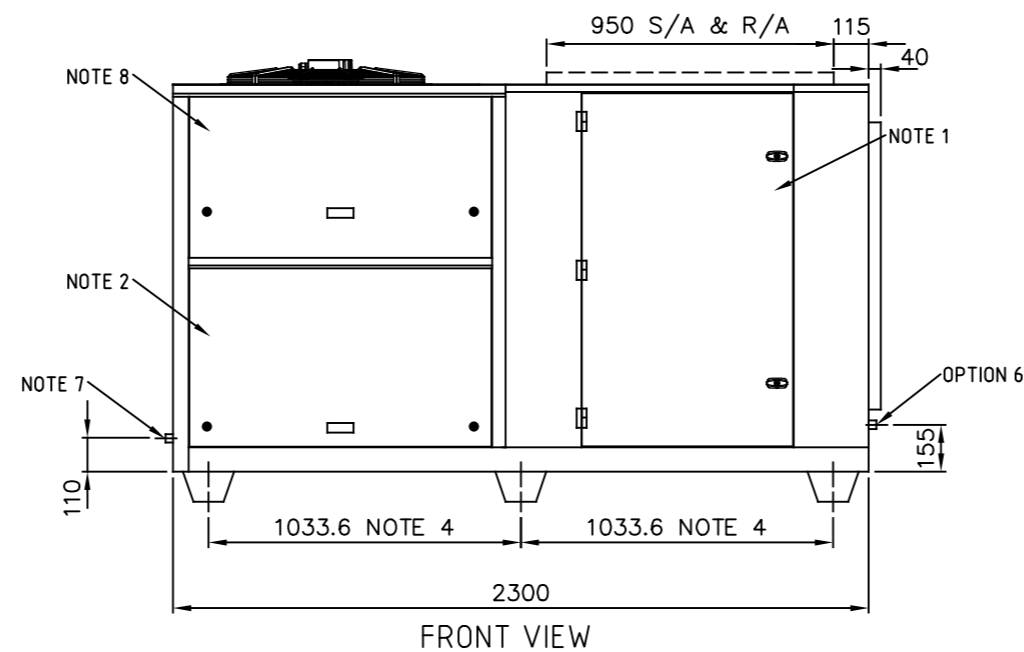
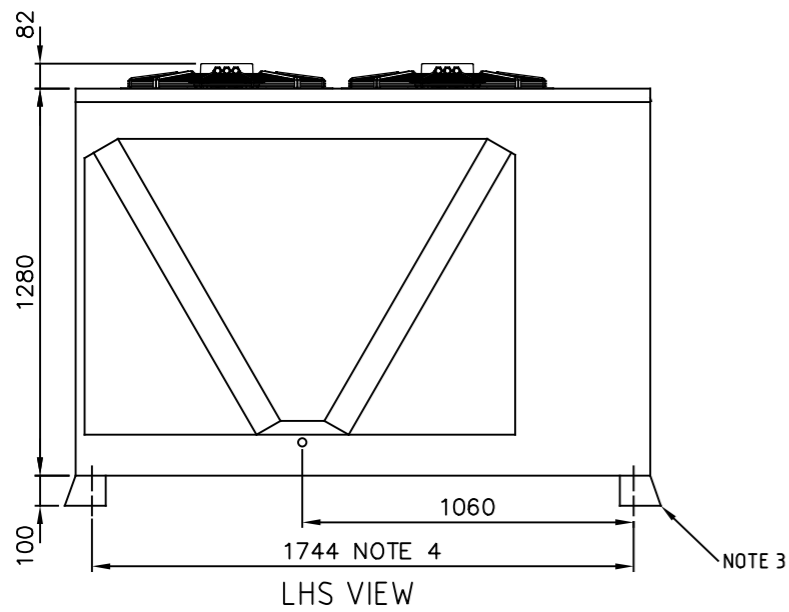
REV	DATE	DETAILS
1	12.12.2017	UNIT LENGTH & WIDTH MODIFIED
2	09.07.2018	NOTES UPDATED
3	14.02.2020	NOTES UPDATED
4	25.05.2022	LABEL VIEWS UPDATED
5	29.08.2022	SIDE R/A ADDED



- NOTE:**
- EVAPORATOR CABINET SERVICE ACCESS
 - COMPRESSOR CABINET SERVICE ACCESS
 - TRANSPORTATION FEET
 - AV MOUNTING LOCATIONS
 - RECOMMENDED LIFTING POINTS (SPREADER BARS REQUIRED)
 - EVAPORATOR CONDENSATE DRAIN (1 x ϕ 20 mm PVC)
 - CONDENSER CONDENSATE DRAIN (1 x ϕ 20 mm PVC)
 - ELECTRICAL SWITCHBOARD
 - OPTIONAL AIR FILTER (50 mm PLEATED & WASHABLE)
 - DUCTING OPTIONS:
 OPTION 1 - TOP R/A
 OPTION 2 - TOP S/A
 OPTION 3 - SIDE R/A

UNIT WEIGHT: 750 kg

POINT LOADS (kg)					
A	B	C	D	E	F
74	153	80	105	222	116



DRAWING No.

CAG035004

REVISION	5
DATE	29.08.2022
SCALE	1 : 35
DRAWN	EW
APPROVED	MD

CAA
 COMM AIR AUSTRALIA
 AIR CONDITIONING MANUFACTURERS
 ACN 140 272 171
 68 COCOS DRIVE
 BIBRALAKE WA 6163
 (08) 9244 9288

HPA025R3AD, HPA025C3AD, HPA030R3AD, HPA030C3AD
 HPA035R3AD, HPA035C3AD, HPA038R3AD, HPA038C3AD
 HPA045R3AD, HPA045C3AD,

GENERAL ARRANGEMENT

- ALL DIMENSIONS IN mm.
- GENERAL TOLERANCE \pm 1mm.
- DO NOT SCALE DRAWING.
- MASTER DRAWINGS ARE HELD ELECTRONICALLY. ANY COPY IS DEEMED UNCONTROLLED AND THEREFORE NOT NECESSARILY THE LATEST REVISION.
- ALL INFORMATION REMAINS THE PROPERTY OF THE COMPANY.