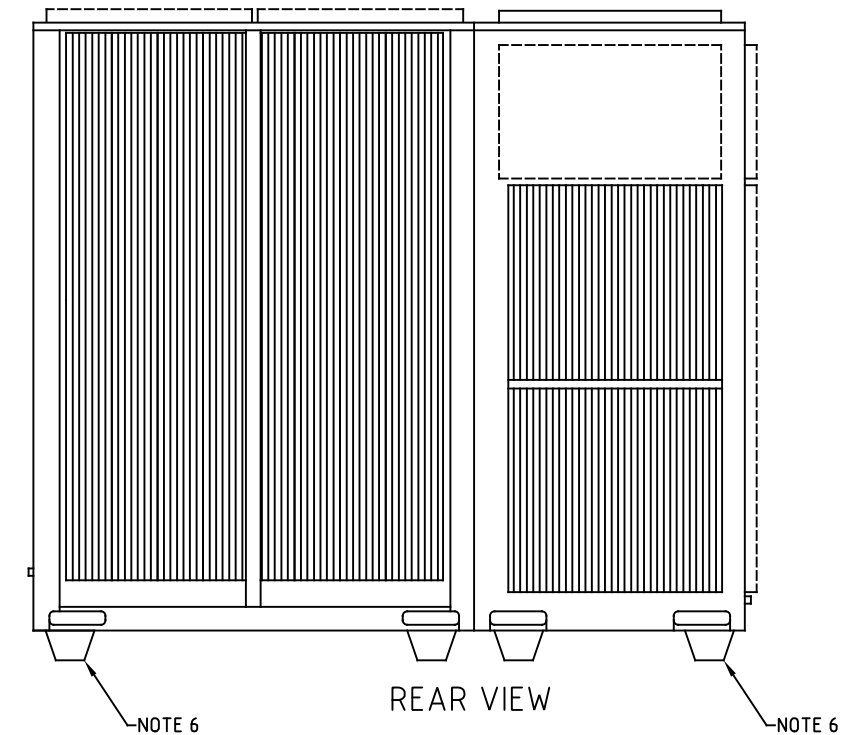
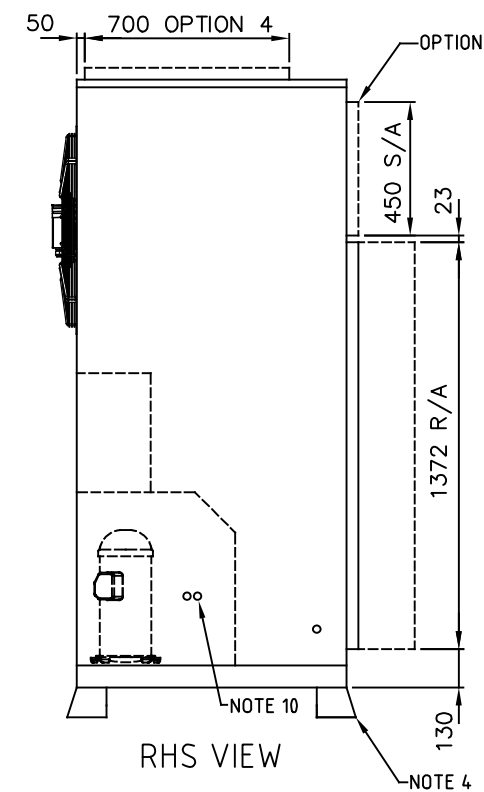
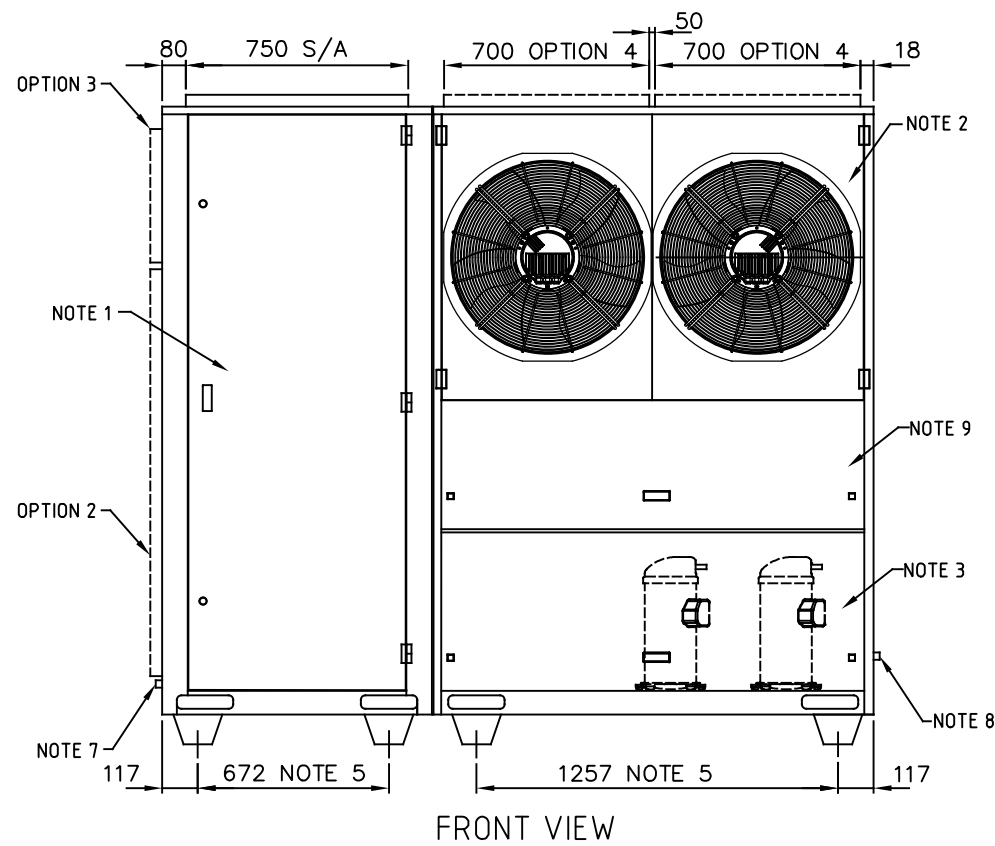
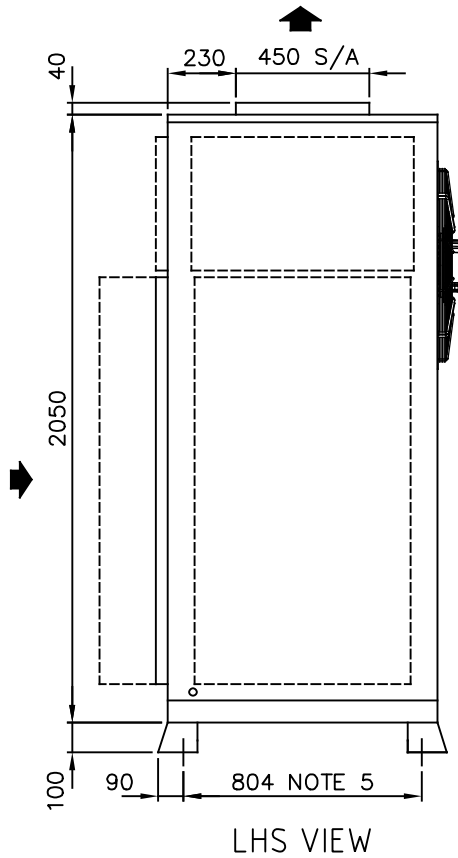



- NOTE:**
1. EVAPORATOR CABINET SERVICE ACCESS
 2. CONDENSER CABINET SERVICE ACCESS
 3. COMPRESSOR CABINET SERVICE ACCESS
 4. TRANSPORTATION FEET
 5. AV MOUNTING LOCATIONS ($\phi 12$ mm)
 6. RECOMMENDED LIFTING POINTS (SPREADER BARS REQUIRED)
 7. EVAPORATOR CONDENSATE DRAIN (1 x $\phi 20$ mm PVC)
 8. CONDENSER CONDENSATE DRAIN (1 x $\phi 20$ mm PVC)
 9. ELECTRICAL SWITCHBOARD
 10. ELECTRICAL ENTRY (2 x $\phi 20$ mm)
 11. OPTIONAL AIR FILTER (50 mm PLEATED & WASHABLE)
 12. DUCTING OPTIONS:
 - OPTION 1 - REAR S/A
 - OPTION 2 - SIDE R/A
 - OPTION 3 - SIDE S/A
 - OPTION 4 - TOP COND FAN DISCHARGE
- FOR OPPOSITE HAND REFER TO CAG045030
UNIT WEIGHT: 740 kg



REV	DATE	DETAILS
0	14.08.2017	ISSUED FOR MANUFACTURE
1	26.05.2022	VIEW LABELS UPDATED
2	3.11.2022	AV MOUNT DIMENSIONS UPDATED

DRAWING No.		REVISION	2	 COMM AIR AUSTRALIA AIR CONDITIONING MANUFACTURERS	VPA045C3AC, VPA045R3AC	<ul style="list-style-type: none"> • ALL DIMENSIONS IN mm. • GENERAL TOLERANCE ± 1mm. • DO NOT SCALE DRAWING. • MASTER DRAWINGS ARE HELD ELECTRONICALLY. ANY COPY IS DEEMED UNCONTROLLED AND THEREFORE NOT NECESSARILY THE LATEST REVISION. • ALL INFORMATION REMAINS THE PROPERTY OF THE COMPANY.
CAG045028		DATE	3.11.2022			
CUT SIZE	----	SCALE	1 : 25			
MATERIAL	----	DRAWN	EW			
QUANTITY	----	APPROVED	MD			

GENERAL ARRANGEMENT