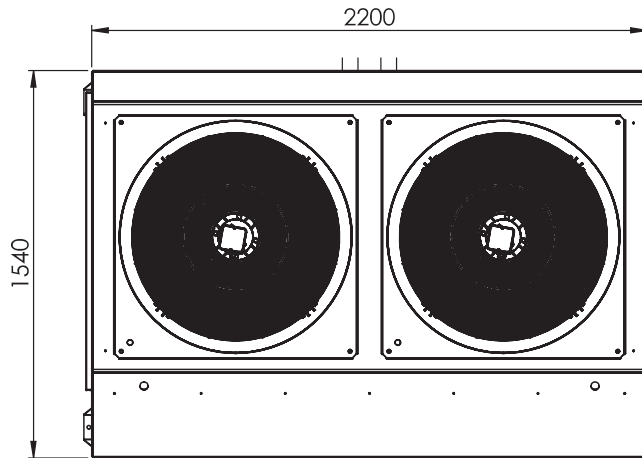
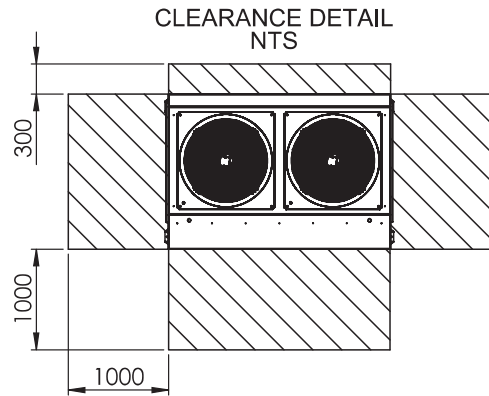


REVISIONS			
REV.	REV BY	DATE	DETAILS
0	EW	26/05/2021	PRELIMINARY DRAWING
1	EW	10/08/2021	COMMON ELECT BOX ADDED
2	EW	4/02/2022	PLUG-IN ADDED FOR PACKAGE ATTACHMENT
3	EW	3/03/2023	COIL GUARDS ADDED, CLEARANCE & AV MOUNT UPDATED

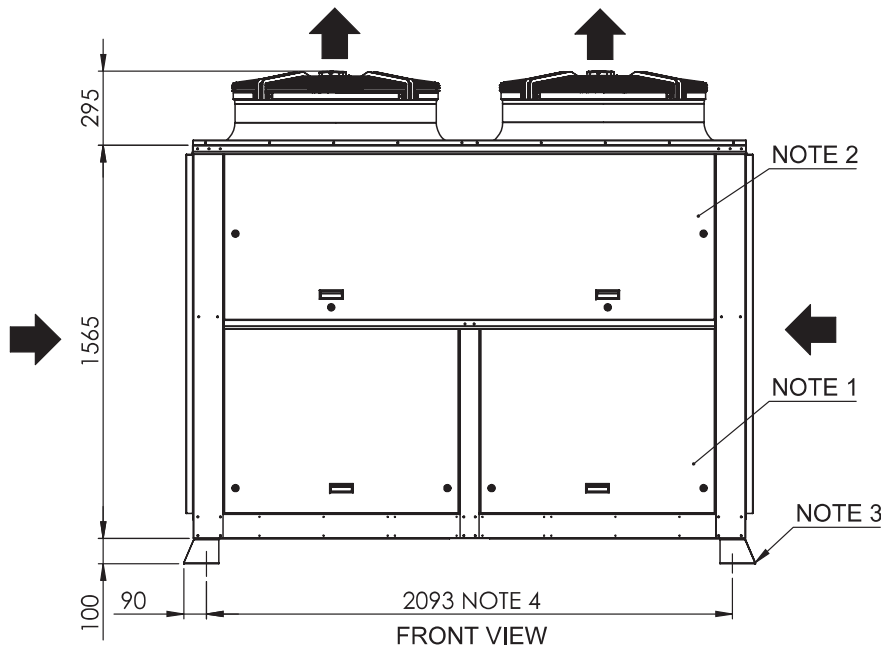


PLAN VIEW

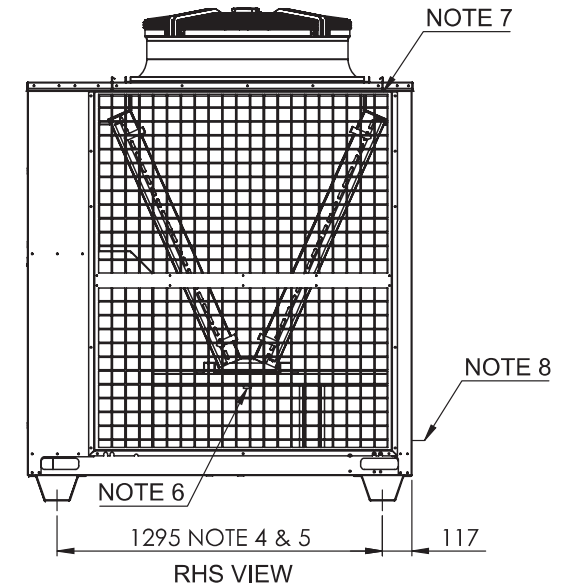
NOTE:

1. COMPRESSOR CABINET SERVICE ACCESS
2. ELECTRICAL SWITCH BOARD
3. TRANSPORTATION FEET (REMOVAL IS OPTIONAL)
4. AV MOUNTING LOCATIONS (Ø12 mm)
5. RECOMMENDED LIFTING POINTS (SPREADER BARS REQUIRED)
6. CONDENSER COIL CONDENSATE DRAIN (2 x Ø20 mm PVC)
7. COIL GUARDS (OPTIONAL)
8. REFRIGERATION PIPING:

MODEL	SUCTION/DISCHARGE	LIQUID	REHEAT (OPTIONAL)
HOA055-065C3AD	2 x 1-1/8"	2 x 5/8"	2 x 5/8"
HOC055-065R3AD	2 x 1-1/8"	2 x 5/8"	2 x 5/8"
HRX055-065C3AD	2 x 7/8"	2 x 5/8"	
HRX055-065R3AD	2 x 7/8"	2 x 5/8"	



FRONT VIEW



RHS VIEW

DWG NO.		REVISION		DO NOT SCALE DRAWING	
CAG055005		3		CAI	
		DATE: 3/03/2023		ORIGINAL SIZE: A3	
CUT SIZE	-	WEIGHT	660 kg	SCALE	1:20
MATERIAL	-	SURFACE FINISH	POWDER COATED	DRAWN BY	EW
QUANTITY	1			SHEET 1 OF 1	
		APPROVED BY	MD		

CAI
COMM AIR AUSTRALIA
AIR CONDITIONING MANUFACTURERS
ABN 69 140 272 171
68 COCOS DRIVE
BIBRA LAKE WA 6163
(08) 9244 9286

MODEL:	HOA055C3AD, HOA055R3AD, HOA065C3AD, HOA065R3AD
	HOC055C3AD, HOC055R3AD, HOC065C3AD, HOC065R3AD
	HRX055C3AD, HRX055R3AD, HRX065C3AD, HRX065R3AD
DESCRIPTION:	GENERAL ARRANGEMENT

ALL DIMENSIONS IN mm
GENERAL TOLERANCE ± 1 mm
DO NOT SCALE DRAWING
MASTER DRAWINGS ARE HELD ELECTRONICALLY. ANY COPY IS DEEMED UNCONTROLLED AND THEREFORE NOT NECESSARILY THE LATEST REVISION
ALL INFORMATION REMAINS THE PROPERTY OF COMM AIR AUSTRALIA PTY LTD