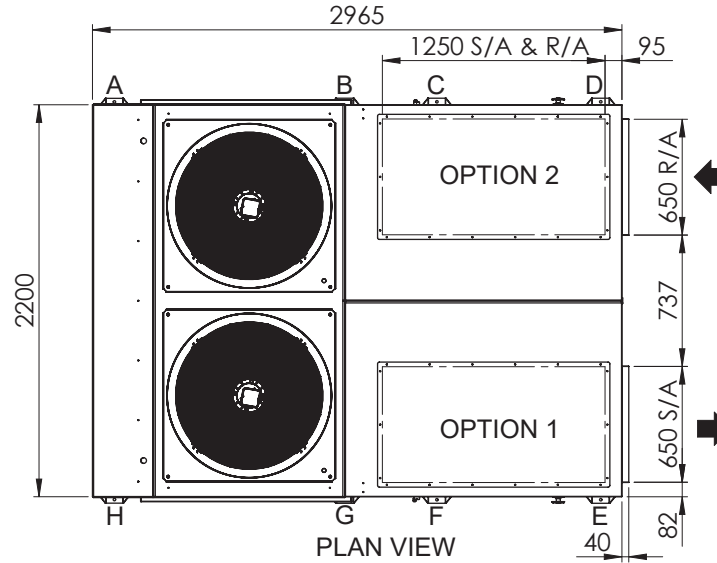
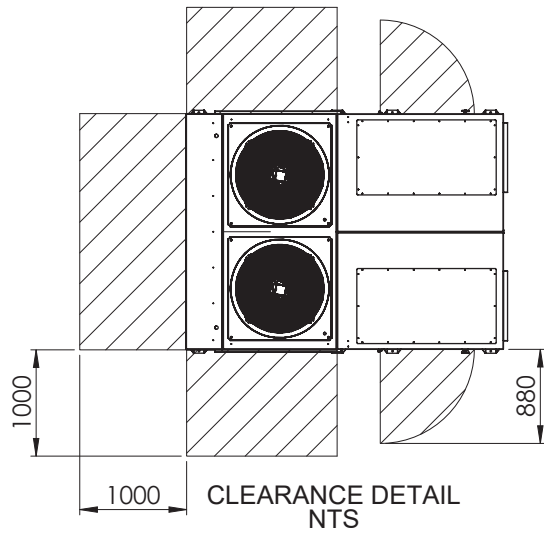


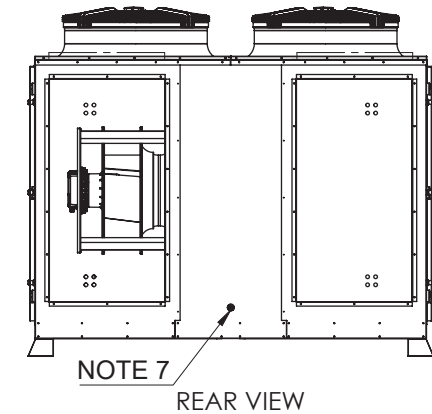
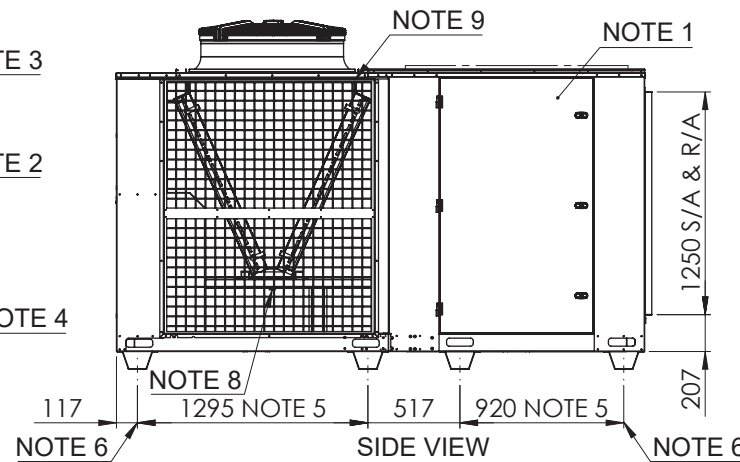
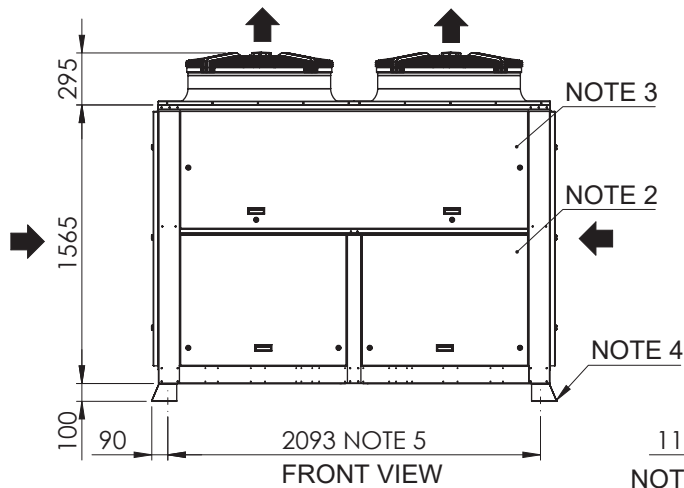
REVISIONS			
REV	REV BY	DATE	DETAILS
0	EW	25/07/2021	PRELIMINARY DRAWING
1	EW	20/08/2021	COMMON ELECTRICAL BOX ADDED
2	EW	22/10/2021	PLUG-IN ADDED FOR PACKAGE ATTACHMENT
3	EW	2/03/2023	COIL GUARDS ADDED & AV MOUNT UPDATED



- NOTE:**
- EVAPORATOR CABINET SERVICE ACCESS
 - COMPRESSOR CABINET SERVICE ACCESS
 - ELECTRICAL SWITCH BOARD
 - TRANSPORTATION FEET (REMOVAL IS OPTIONAL)
 - AV MOUNTING LOCATIONS (Ø12 mm)
 - RECOMMENDED LIFTING POINTS (SPREADER BARS REQUIRED)
 - EVAPORATOR COIL CONDENSATE DRAIN (Ø20 mm PVC)
 - CONDENSER COIL CONDENSATE DRAIN (2 x Ø20 mm PVC)
 - COIL GUARDS (OPTIONAL)
 - DUCTING OPTIONS:
OPTION 1 - TOP S/A
OPTION 2 - TOP R/A

OPPOSITE HANDINGS FOR ALL OPTIONS

POINT LOAD (kg)							
A	B	C	D	E	F	G	H
160	160	160	160	160	160	160	160



DWG NO. CAG055007		REVISION 3	DO NOT SCALE DRAWING
CUT SIZE	WEIGHT 1280 kg	DATE 3/07/2023	ORIGINAL SIZE: A3
MATERIAL	SURFACE FINISH POWDER COATED	SCALE 1:30	DRAWN BY EW
QUANTITY 1		SHEET 1 OF 1	APPROVED BY MD

CAA
COMM AIR AUSTRALIA
AIR CONDITIONING MANUFACTURERS
ABN 69 140 272 171
88 COCOIS DRIVE
BIBRA LAKE WA 6163
(08) 9244 9288

MODEL: HPA055C3AD, HPA055R3AD, HPA065C3AD, HPA065R3AD HPC055C3AD, HPC055R3AD, HPC065C3AD, HPC065R3AD	DESCRIPTION: GENERAL ARRANGEMENT

- ALL DIMENSIONS IN mm
- GENERAL TOLERANCE ± 1 mm
- DO NOT SCALE DRAWING
- MASTER DRAWINGS ARE HELD ELECTRONICALLY. ANY COPY IS DEEMED UNCONTROLLED AND THEREFORE NOT NECESSARILY THE LATEST REVISION
- ALL INFORMATION REMAINS THE PROPERTY OF COMM AIR AUSTRALIA PTY LTD