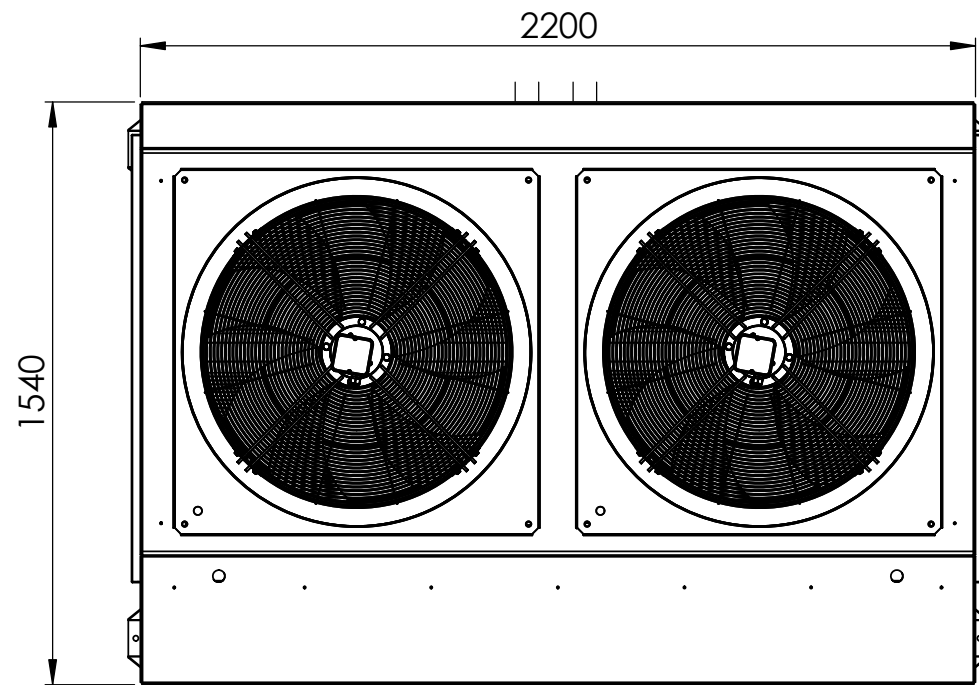
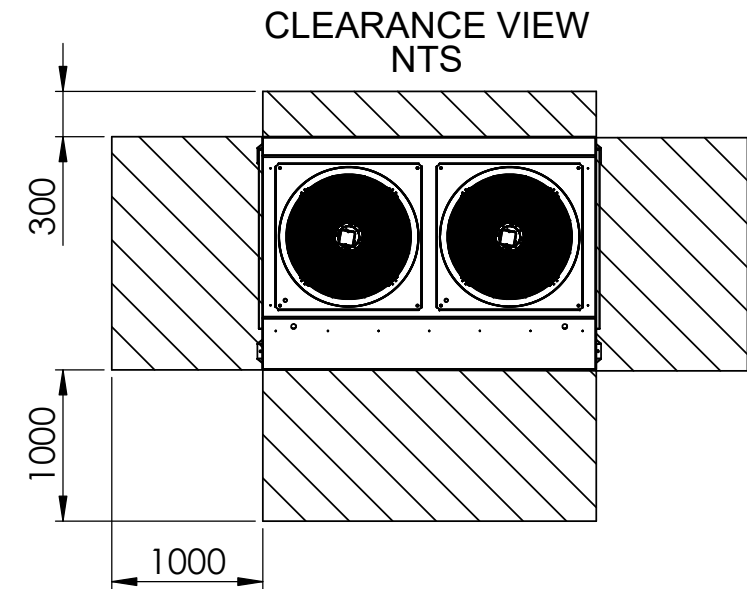


REVISIONS			
REV.	REV BY	DATE	DETAILS
0	SP	15/0/2016	PRELIMINARY DRAWING
1	SP	18/03/2019	NOTES UPDATED
2	SP	33/02/2021	AV MOUNT LOCATIONS UPDATED
3	EW	22/06/2021	COMMON ELECT BOX ADDED
4	EW	27/10/2021	PLUG-IN ADDED FOR PACKAGE ARRANGEMENT
5	EW	3/03/2023	COIL GUARDS, CLEARANCE & AV MOUNT UPDATED

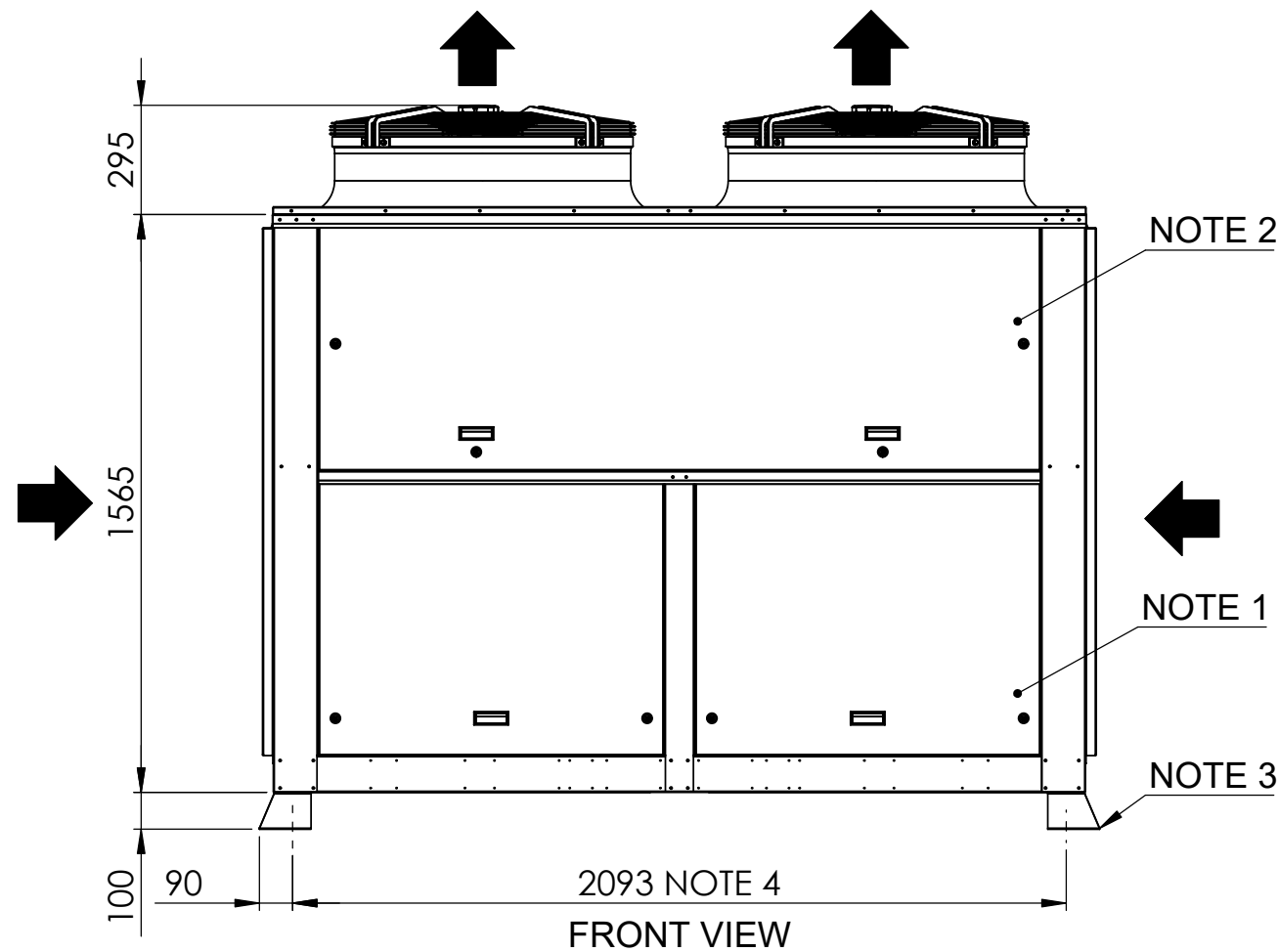


PLAN VIEW

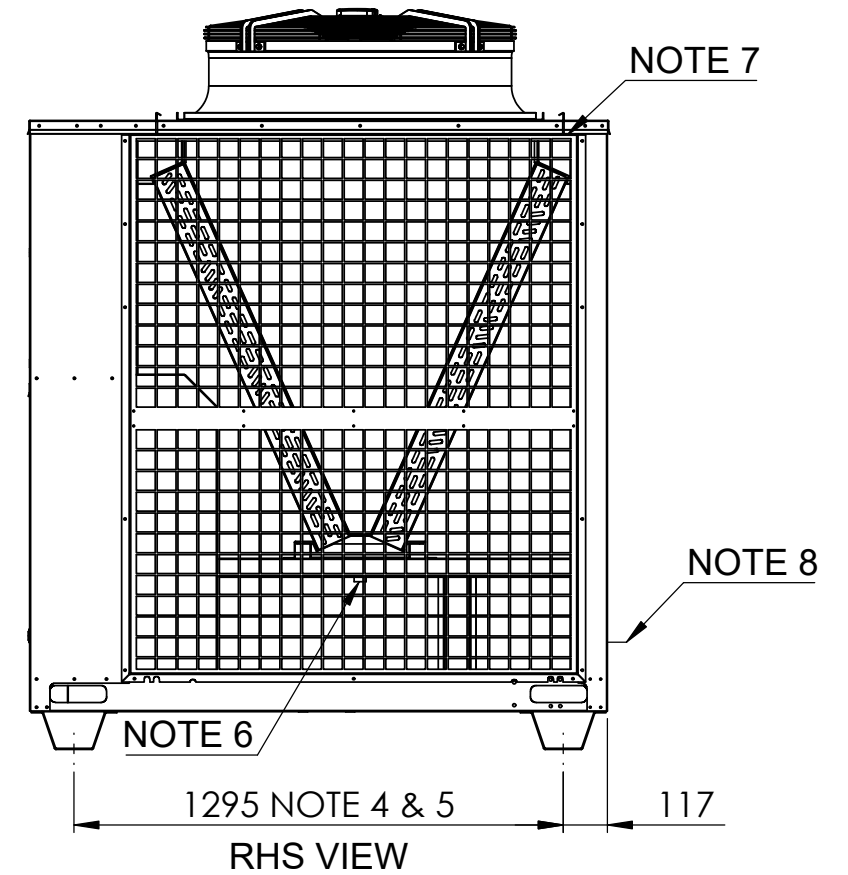
NOTE:

1. COMPRESSOR CABINET SERVICE ACCESS
2. ELECTRICAL SWITCH BOARD
3. TRANSPORTATION FEET (REMOVAL IS OPTIONAL)
4. AV MOUNTING LOCATIONS (Ø12 mm)
5. RECOMMENDED LIFTING POINTS (SPREADER BARS REQUIRED)
6. CONDENSER COIL CONDENSATE DRAIN (2 x Ø20 mm PVC)
7. COIL GUARDS (OPTIONAL)
8. REFRIGERATION PIPING:


MODEL	SUCTION/DISCHARGE	LIQUID	REHEAT (OPTIONAL)
HOA075-090C3AD	2 x 1-1/8"	2 x 5/8"	2 x 5/8"
HOC075-090R3AD	2 x 1-1/8"	2 x 5/8"	2 x 5/8"
HRX075-090C3AD	2 x 7/8"	2 x 5/8"	
HRX075-090R3AD	2 x 7/8"	2 x 5/8"	



FRONT VIEW



RHS VIEW

DWG NO. CAG070003				REVISION	5	DO NOT SCALE DRAWING	 COMM AIR AUSTRALIA AIR CONDITIONING MANUFACTURERS ABN 69 140 272 171 68 COCOS DRIVE BIBRA LAKE WA 6163 (08) 9244 9288	MODEL:	HOA075C3AD, HOA075R3AD, HOA090C3AD, HOA090R3AD HOC075C3AD, HOC075R3AD, HOC090C3AD, HOC090R3AD HRX075C3AD, HRX075R3AD, HRX090C3AD, HRX090R3AD	<ul style="list-style-type: none"> • ALL DIMENSIONS IN mm • GENERAL TOLERANCE ± 1 mm • DO NOT SCALE DRAWING • MASTER DRAWINGS ARE HELD ELECTRONICALLY. ANY COPY IS DEEMED UNCONTROLLED AND THEREFORE NOT NECESSARILY THE LATEST REVISION • ALL INFORMATION REMAINS THE PROPERTY OF COMM AIR AUSTRALIA PTY LTD
CUT SIZE	-	WEIGHT	780 kg	DATE	27/10/2021	ORIGINAL SIZE:		A3	DESCRIPTION:	
MATERIAL	-	SURFACE FINISH	POWDER COATED	SCALE	1:20	SHEET 1 OF 1				
QUANTITY	1			DRAWN BY	EW					
				APPROVED BY	MD					