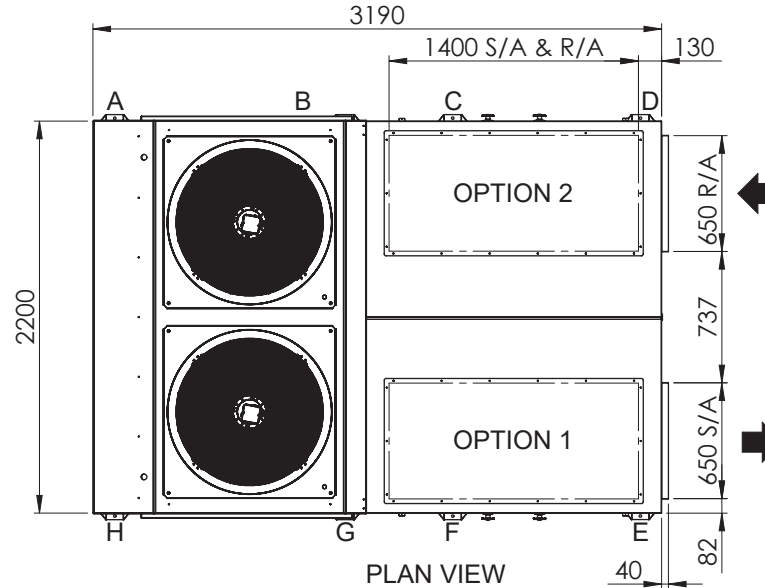
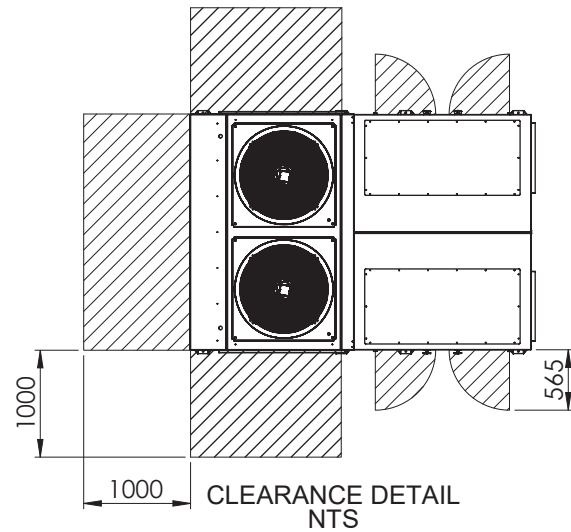


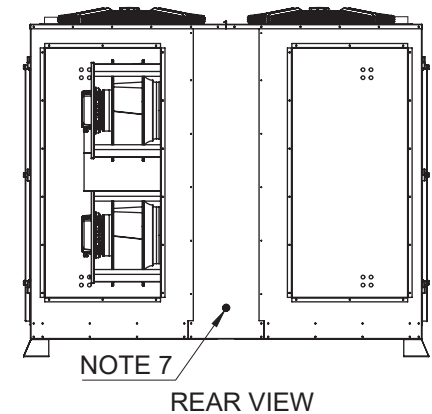
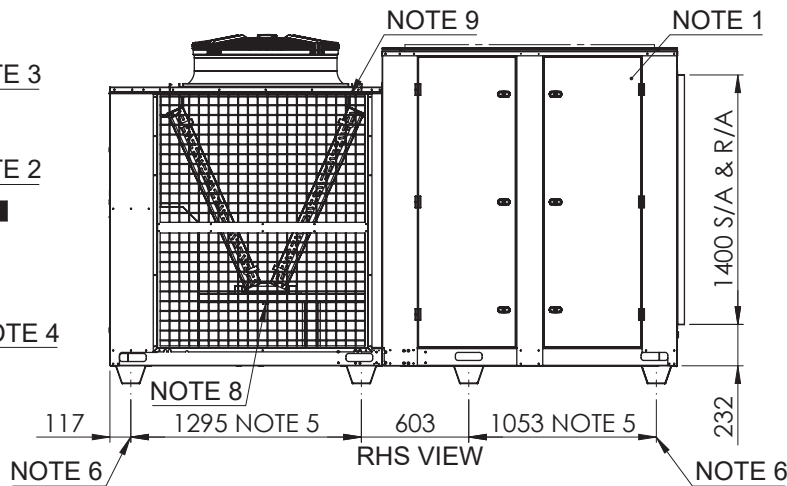
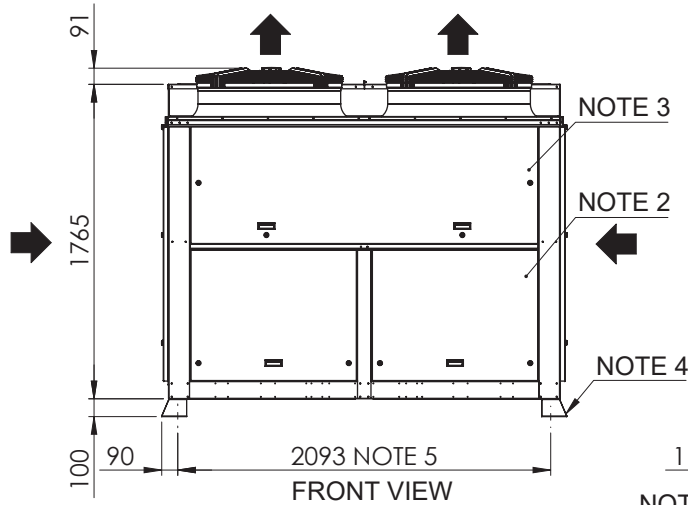
REV.		REV BY	DATE	REVISIONS	DETAILS
0	EW	26/05/2021		PRELIMINARY DRAWING	
1	EW	10/08/2021		COMMON ELECTRICAL BOX ADDED	
2	EW	27/10/2021		CONNECTOR & COMMON HPA055-065 PARTS ADDED	
3	EW	9/03/2023		COIL GUARDS ADDED & AV MOUNT UPDATED	



NOTE:

- EVAPORATOR CABINET SERVICE ACCESS
 - COMPRESSOR CABINET SERVICE ACCESS
 - ELECTRICAL SWITCH BOARD
 - TRANSPORTATION FEET (REMOVAL IS OPTIONAL)
 - AV MOUNTING LOCATIONS (Ø12 mm)
 - RECOMMENDED LIFTING POINTS (SPREADER BARS REQUIRED)
 - EVAPORATOR COIL CONDENSATE DRAIN (Ø20 mm PVC)
 - CONDENSER COIL CONDENSATE DRAIN (2 x Ø20 mm PVC)
 - COIL GUARDS (OPTIONAL)
 - DUCTING OPTIONS:
OPTION 1 - TOP S/A
OPTION 2 - TOP R/A
- OPPOSITE HANDINGS FOR ALL OPTIONS

POINT LOADS (kg)							
A	B	C	D	E	F	G	H
160	160	175	175	160	160	235	235



DWG NO. CAG070007		REVISION	3	DO NOT SCALE DRAWING	
CUT SIZE	-	DATE	9/03/2023	ORIGINAL SIZE:	A3
MATERIAL	-	WEIGHT	1460 kg	SCALE	1:30
QUANTITY	1	SURFACE FINISH	POWDER COATED	DRAWN BY	EW
		APPROVED BY	MD	SHEET 1 OF 1	

CAA
COMM AIR AUSTRALIA
AIR CONDITIONING MANUFACTURER
ABN 69 140 272 171
88 COCOIS DRIVE
BIBRA LAKE WA 6163
(08) 9244 9288

MODEL:	HPA075C3AD, HPA075R3AD, HPA090C3AD, HPA090R3AD HPC075C3AD, HPC075R3AD, HPC090C3AD, HPC090R3AD
DESCRIPTION:	GENERAL ARRANGEMENT

- ALL DIMENSIONS IN mm
- GENERAL TOLERANCE ± 1 mm
- DO NOT SCALE DRAWING
- MASTER DRAWINGS ARE HELD ELECTRONICALLY. ANY COPY IS DEEMED UNCONTROLLED AND THEREFORE NOT NECESSARILY THE LATEST REVISION
- ALL INFORMATION REMAINS THE PROPERTY OF COMM AIR AUSTRALIA PTY LTD