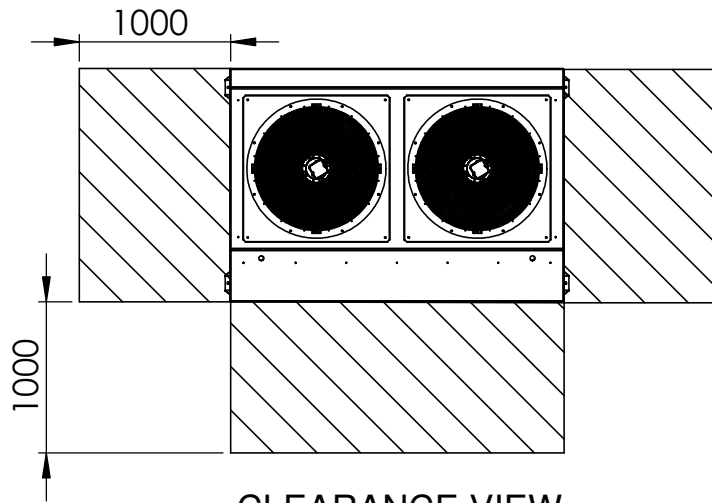
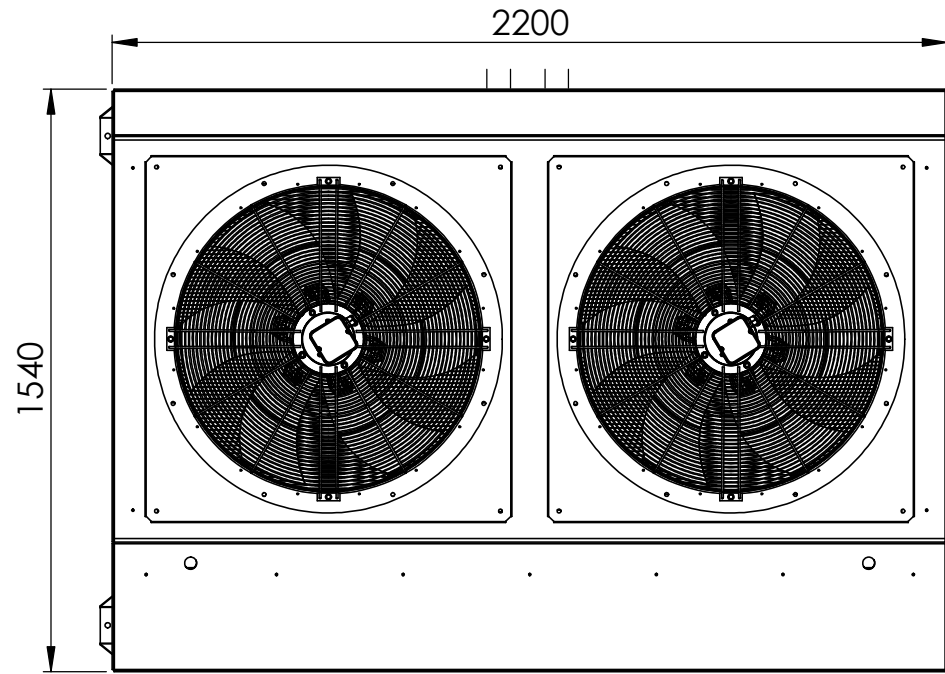


REVISIONS			
REV.	REV BY	DATE	DETAILS
0	EW	29/03/2022	FLUSH FAN ADDED



CLEARANCE VIEW  
NTS

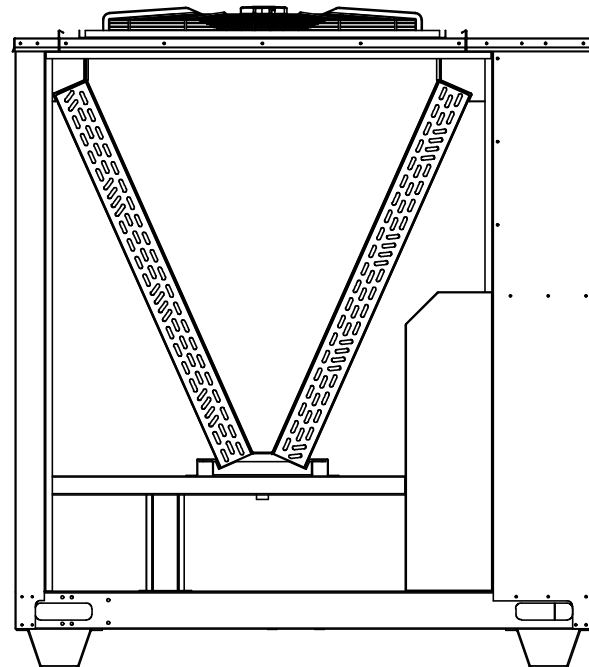


PLAN VIEW

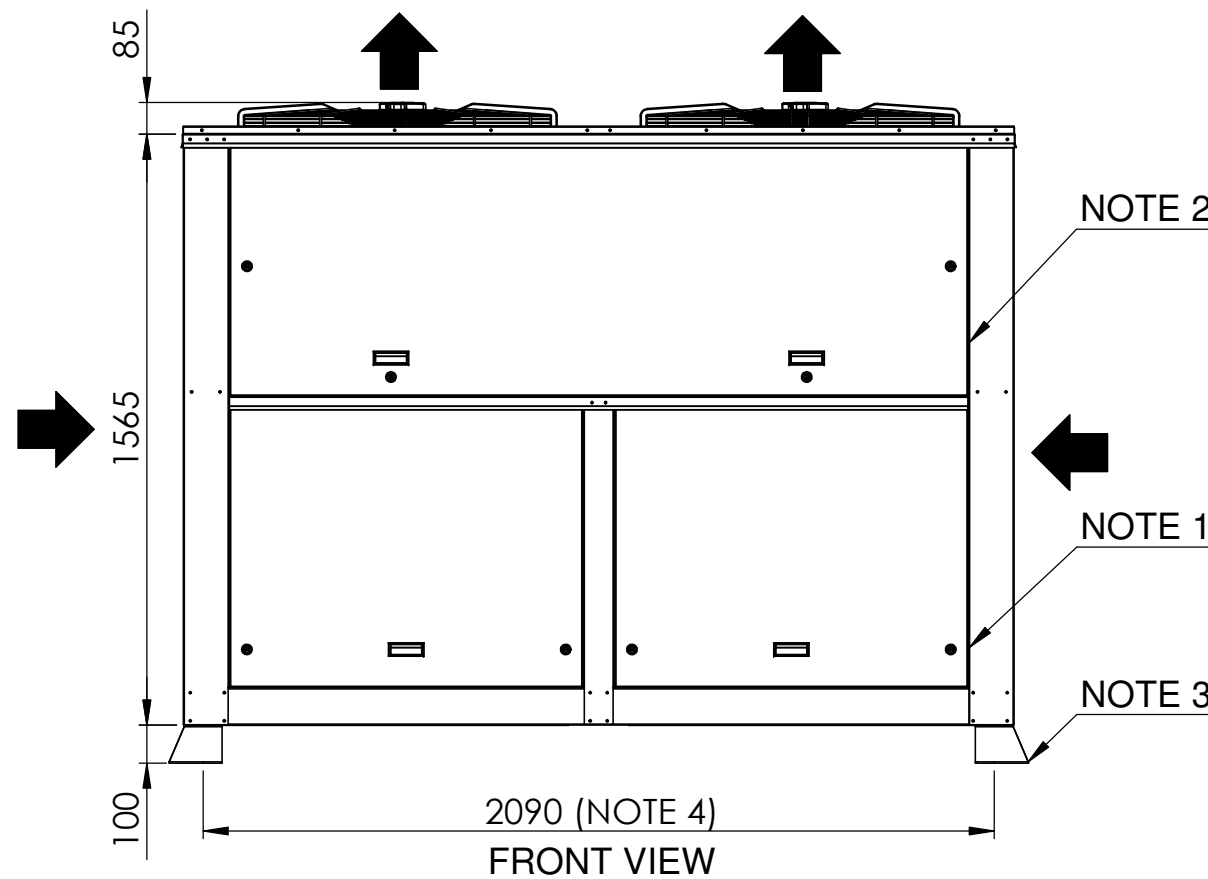
**NOTE:**

1. COMPRESSOR CABINET SERVICE ACCESS
2. ELECTRICAL SWITCH BOARD
3. TRANSPORTATION FEET (REMOVAL IS OPTIONAL)
4. AV MOUNTING LOCATIONS (Ø12 mm)
5. RECOMMENDED LIFTING POINTS (SPREADER BARS REQUIRED)
6. CONDENSER COIL CONDENSATE DRAIN (Ø20 mm PVC)
7. REFRIGERATION PIPING:

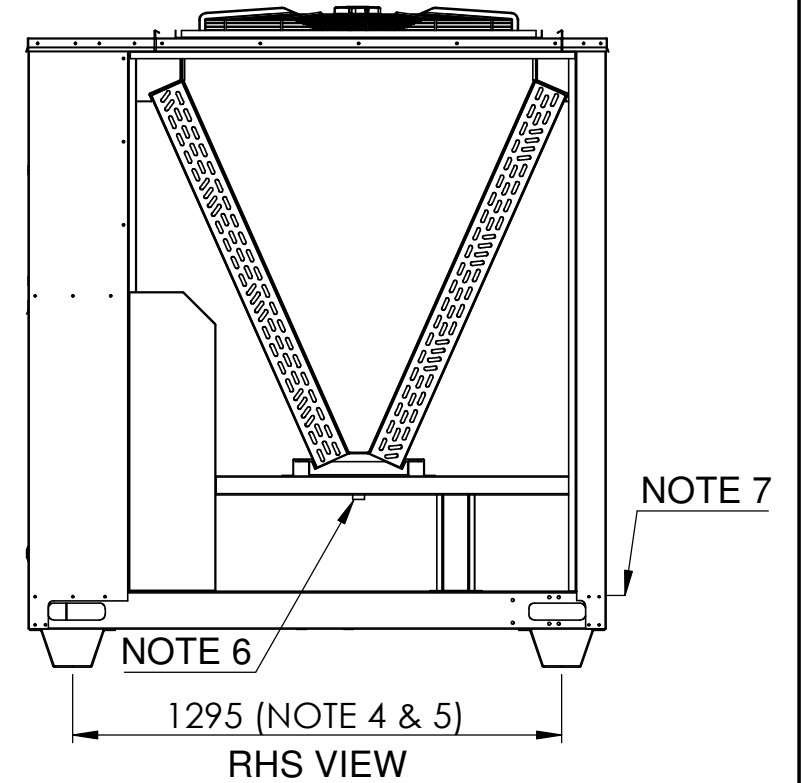
MODEL	SUCTION/DISCHARGE	LIQUID	REHEAT (OPTIONAL)
HOA075-090C3AD	2 x 1-1/8"	2 x 5/8"	2 x 5/8"
HOC075-090R3AD	2 x 1-1/8"	2 x 5/8"	2 x 5/8"
HRX075-090C3AD	2 x 7/8"	2 x 5/8"	
HRX075-090R3AD	2 x 7/8"	2 x 5/8"	




LHS VIEW



2090 (NOTE 4)  
FRONT VIEW



1295 (NOTE 4 & 5)  
RHS VIEW

DWG NO. <b>CAG070010</b>				REVISION	0	DO NOT SCALE DRAWING	 <b>COMM AIR AUSTRALIA</b> AIR CONDITIONING MANUFACTURERS ACN 140 272 171 68 COCOS DRIVE BIBRA LAKE WA 6163 (08) 9244 9288	MODEL: HOA075C3AD, HOA075R3AD, HOA090C3AD, HOA090R3AD		<ul style="list-style-type: none"> <li>• ALL DIMENSIONS IN mm</li> <li>• GENERAL TOLERANCE ± 1 mm</li> <li>• DO NOT SCALE DRAWING</li> <li>• MASTER DRAWINGS ARE HELD ELECTRONICALLY. ANY COPY IS DEEMED UNCONTROLLED AND THEREFORE NOT NECESSARILY THE LATEST REVISION</li> <li>• ALL INFORMATION REMAINS THE PROPERTY OF COMM AIR AUSTRALIA PTY LTD</li> </ul>
				DATE	29/03/2022	ORIGINAL SIZE:		HOC075C3AD, HOC075R3AD, HOC090C3AD, HOC090R3AD		
				SCALE	1:20	A3		HRX075C3AD, HRX075R3AD, HRX090C3AD, HRX090R3AD		
CUT SIZE	-	WEIGHT	780 kg	DRAWN BY	EW	SHEET 1 OF 1	DESCRIPTION: GENERAL ARRANGEMENT - FLUSH FAN VERSION			
MATERIAL	-	SURFACE FINISH	-	APPROVED BY	MD					
QUANTITY	1									