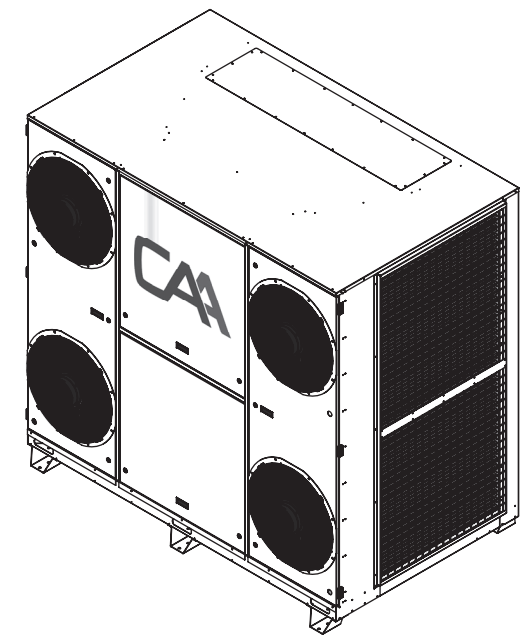
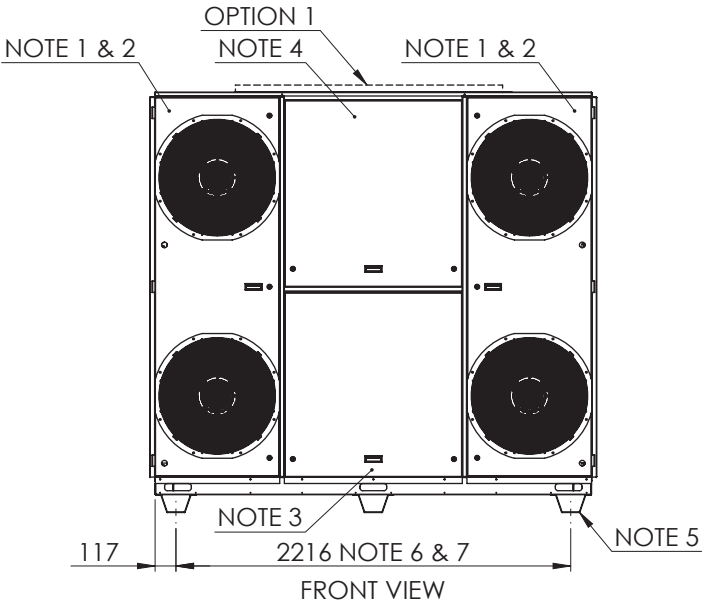
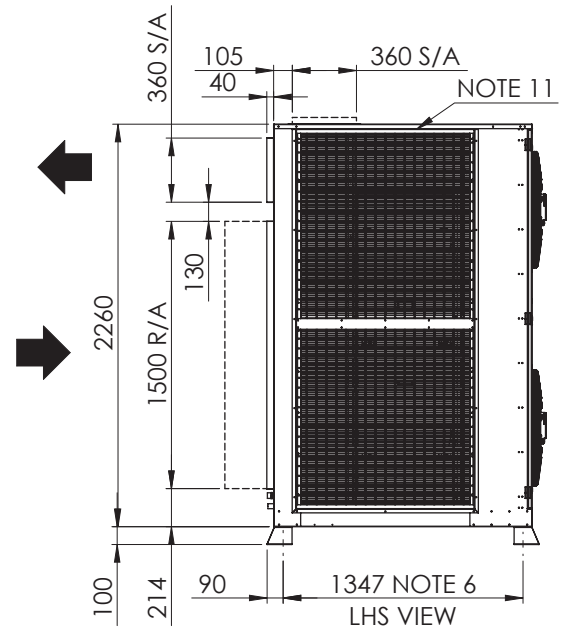
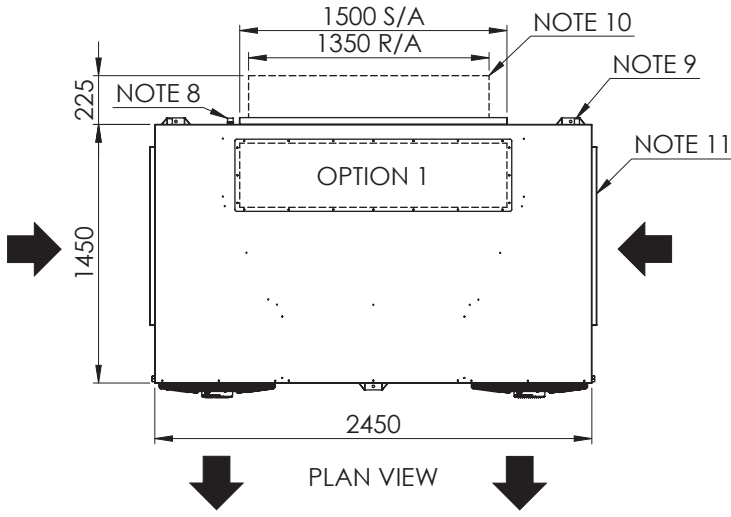
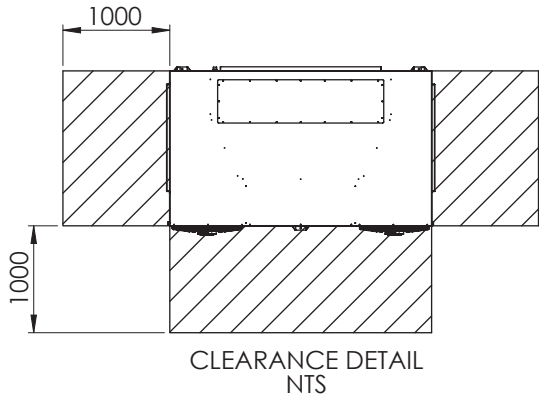


REVISIONS			
REV.	REV BY	DATE	DETAILS
0	EW	26/05/2021	PRELIMINARY DRAWING
1	EW	6/04/2022	3D MODEL ADDED
2	EW	26/05/2022	PROTOTYPE MODIFICATIONS ADDED
3	EW	28/02/2023	COIL GUARDS ADDED, R/A & CLEARANCE UPDATED

NOTE:

1. EVAPORATOR CABINET SERVICE ACCESS
2. CONDENSER CABINET SERVICE ACCESS
3. COMPRESSOR CABINET SERVICE ACCESS
4. ELECTRICAL SWITCH BOARD
5. TRANSPORTATION FEET (REMOVAL IS OPTIONAL)
6. AV MOUNTING LOCATIONS (Ø12 mm)
7. RECOMMENDED LIFTING POINTS (SPREADER BARS REQUIRED)
8. EVAPORATOR COIL CONDENSATE DRAIN (Ø20 mm PVC)
9. CONDENSER COIL CONDENSATE DRAIN (2 x Ø20 mm PVC)
10. OPTIONAL AIR FILTER (50 mm PLEATED & WASHABLE)
11. OPTIONAL COIL GUARDS
12. DUCTING OPTIONS:
OPTION 1 - TOP S/A

D
C
B
A



DWG NO. CAG075000		REVISION 3	DO NOT SCALE DRAWING
CUT SIZE	-	DATE 28/02/2023	ORIGINAL SIZE: A3
MATERIAL	-	SCALE 1:30	SHEET 1 OF 1
WEIGHT 985 kg	SURFACE FINISH POWDER COATED	DRAWN BY EW	APPROVED BY MD
QUANTITY 1			

CAA
COMM AIR AUSTRALIA
AIR CONDITIONING MANUFACTURERS

ACN 140 272 171
68 COCO'S DRIVE
BIBRA LAKE WA 6163
(08) 9244 9288

MODEL:	VPA075C3AC, VPA075R3AC VPA090C3AC, VPA090R3AC
DESCRIPTION:	GENERAL ARRANGEMENT

- ALL DIMENSIONS in mm
- GENERAL TOLERANCE ± 1 mm
- DO NOT SCALE DRAWING
- MASTER DRAWINGS ARE HELD ELECTRONICALLY. ANY COPY IS DEEMED UNCONTROLLED AND THEREFORE NOT NECESSARILY THE LATEST REVISION
- ALL INFORMATION REMAINS THE PROPERTY OF COMM AIR AUSTRALIA PTY LTD

6 5 4 3 2 1

6 5 4 3 2 1