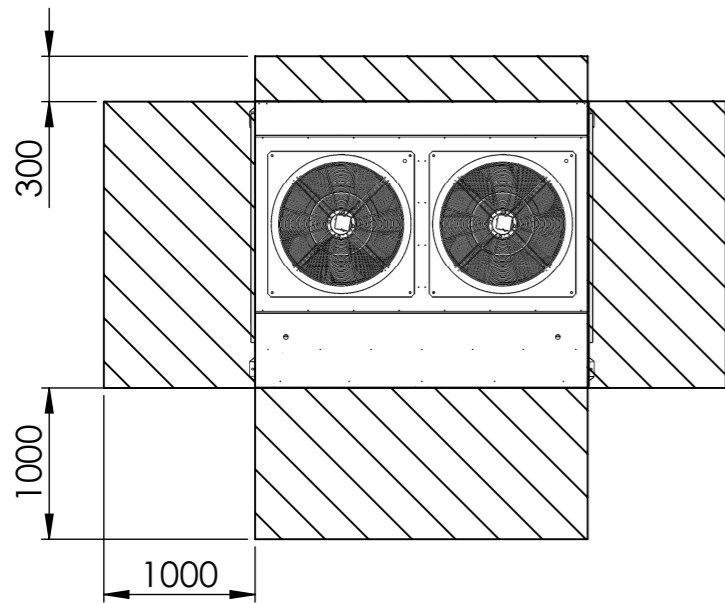
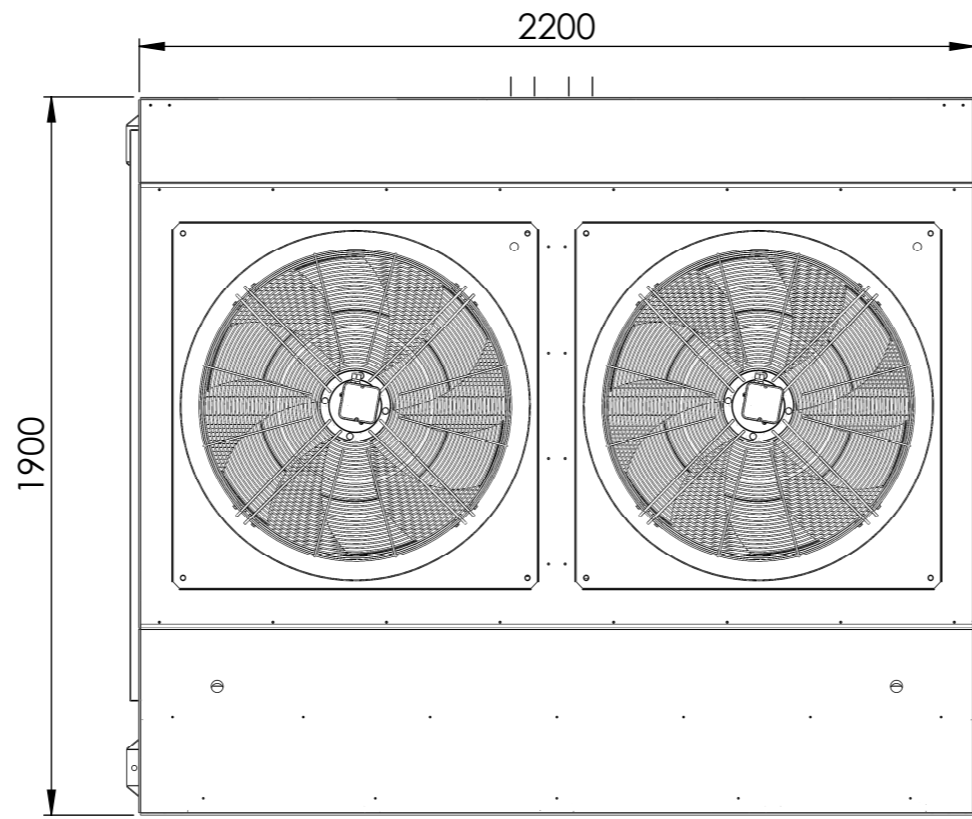


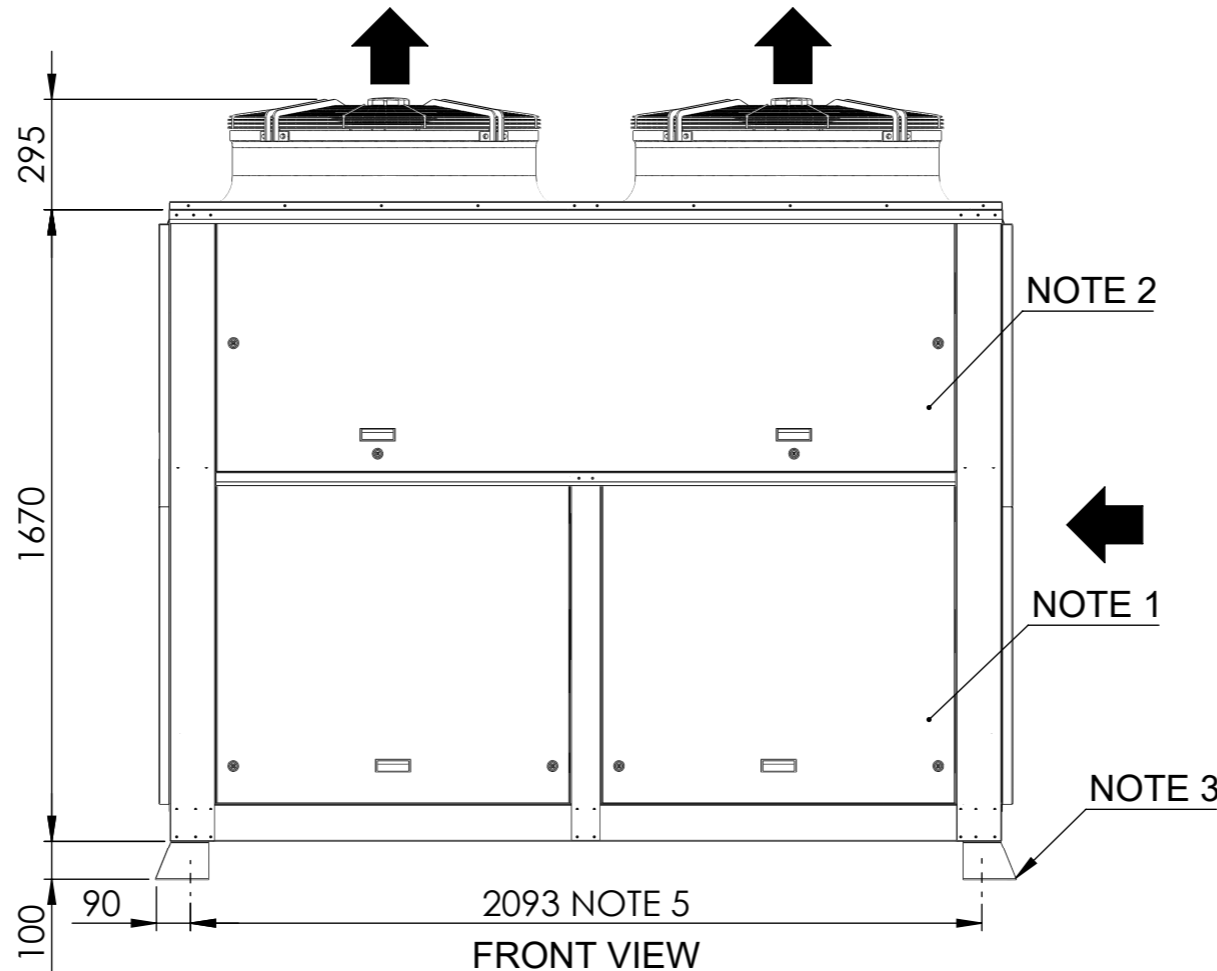
REVISIONS			
REV.	REV BY	DATE	DETAILS
0	SP	14/09/2016	PRELIMINARY DRAWING
1	SP	18/03/2019	NOTES UPDATED
2	SP	17/03/2021	MODEL CODES UPDATED
3	EW	23/06/2021	COMMON ELECT BOX ADDED
4	EW	1/11/2021	CONNECTOR ADDED FOR PACKAGE ARRANGEMENT
5	EW	14/04/2023	COIL GUARDS & CLEARANCE ADDED & AV MOUNT UPDATED



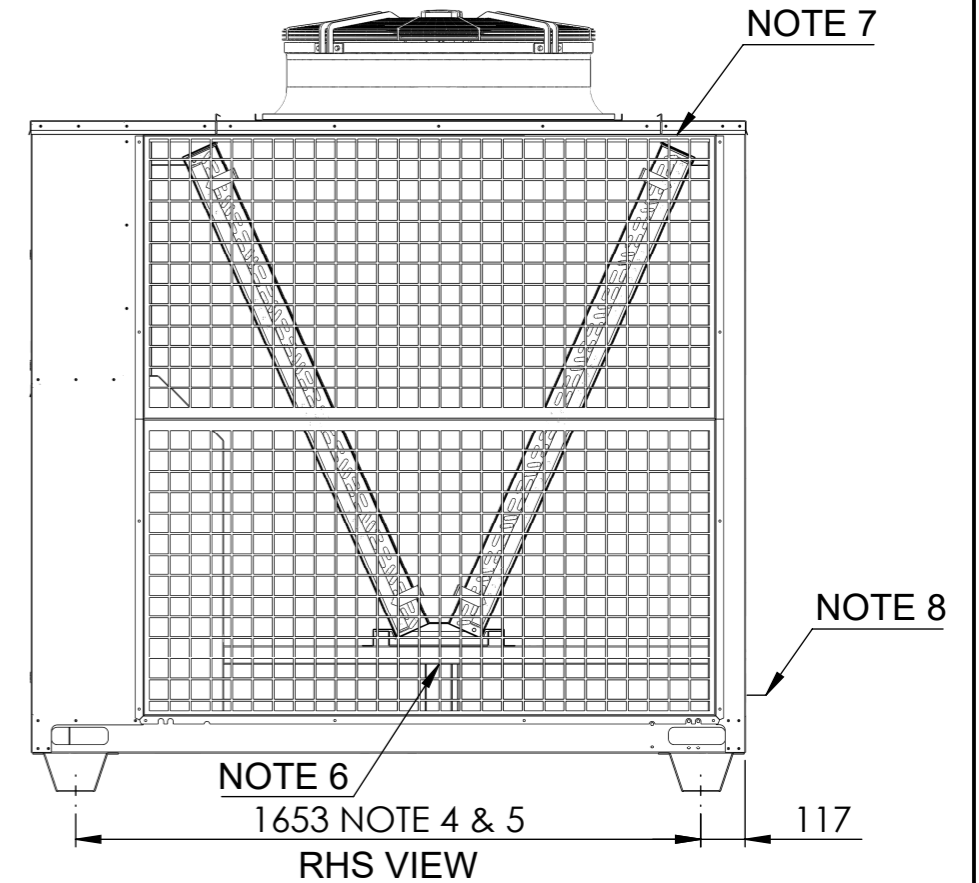
CLEARANCE DETAILS



PLAN VIEW



FRONT VIEW



RHS VIEW

NOTE:

1. COMPRESSOR CABINET SERVICE ACCESS
2. ELECTRICAL SWITCH BOARD
3. TRANSPORTATION FEET (REMOVAL IS OPTIONAL)
4. AV MOUNTING LOCATIONS (Ø12 mm)
5. RECOMMENDED LIFTING POINTS (SPREADER BARS REQUIRED)
6. CONDENSER COIL CONDENSATE DRAIN (2 x Ø20 mm PVC)
7. COIL GUARDS (OPTIONAL)
8. REFRIGERATION PIPING:

MODEL	SUCTION/DISCHARGE	LIQUID	REHEAT (OPTIONAL)
HOA100-125C3AD	2 x 1-3/8"	2 x 5/8"	2 x 5/8"
HOC100-125R3AD	2 x 1-3/8"	2 x 5/8"	2 x 5/8"
HRX100-125C3AD	2 x 1-3/8"	2 x 5/8"	
HRX100-125R3AD	2 x 1-3/8"	2 x 5/8"	

DWG NO. CAG100002		REVISION 5	DO NOT SCALE DRAWING
CUT SIZE -	WEIGHT 890 kg	DATE 14/04/2023	ORIGINAL SIZE: A3
MATERIAL -	SURFACE FINISH POWDER COATED	SCALE 1:20	SHEET 1 OF 1
QUANTITY 1		DRAWN BY EW	APPROVED BY MD

CAA
COMM AIR AUSTRALIA
AIR CONDITIONING MANUFACTURERS
ABN 68 140 272 171
68 COCOS DRIVE
BIBRA LAKE WA 6163
(08) 9244 9288

MODEL:	HOA100C3AD, HOA100R3AD, HOA125C3AD, HOA125R3AD HOC100C3AD, HOC100R3AD, HOC125C3AD, HOC125R3AD HRX100C3AD, HRX100R3AD, HRX125C3AD, HRX125R3AD
DESCRIPTION:	GENERAL ARRANGEMENT

ALL DIMENSIONS IN mm
GENERAL TOLERANCE ± 1 mm
DO NOT SCALE DRAWING
MASTER DRAWINGS ARE HELD ELECTRONICALLY. ANY COPY IS DEEMED UNCONTROLLED AND THEREFORE NOT NECESSARILY THE LATEST REVISION
ALL INFORMATION REMAINS THE PROPERTY OF COMM AIR AUSTRALIA PTY LTD