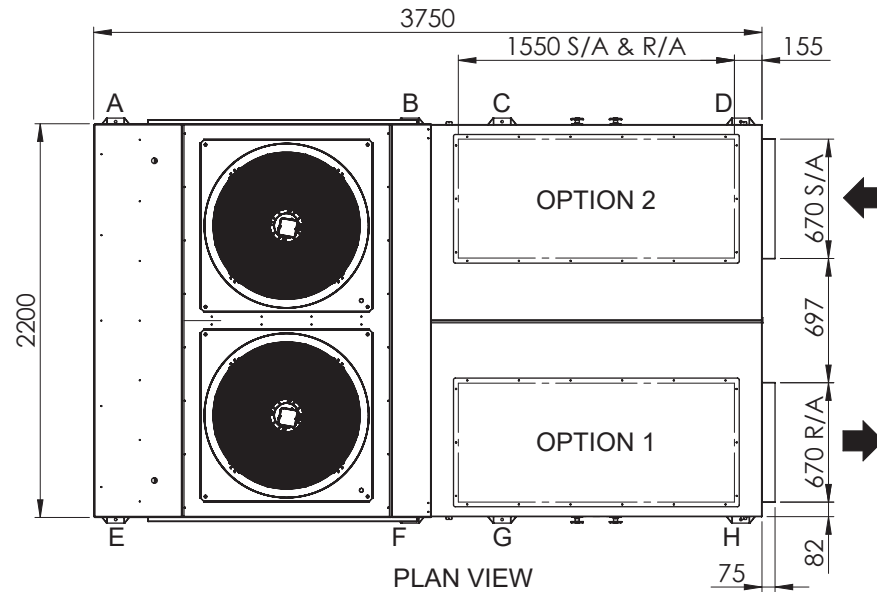
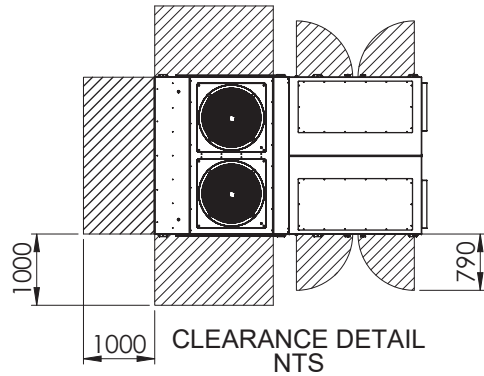
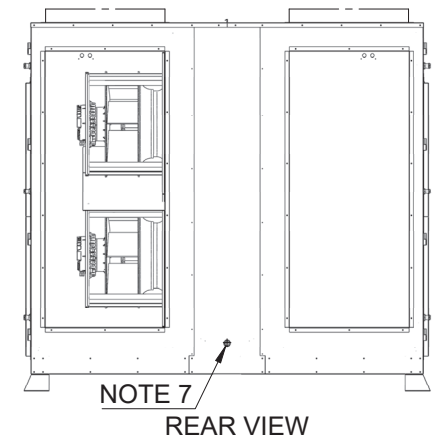
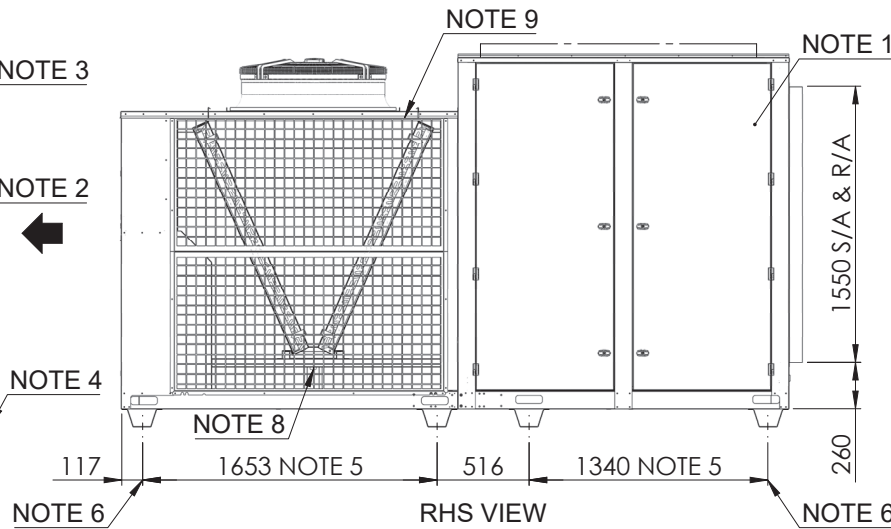
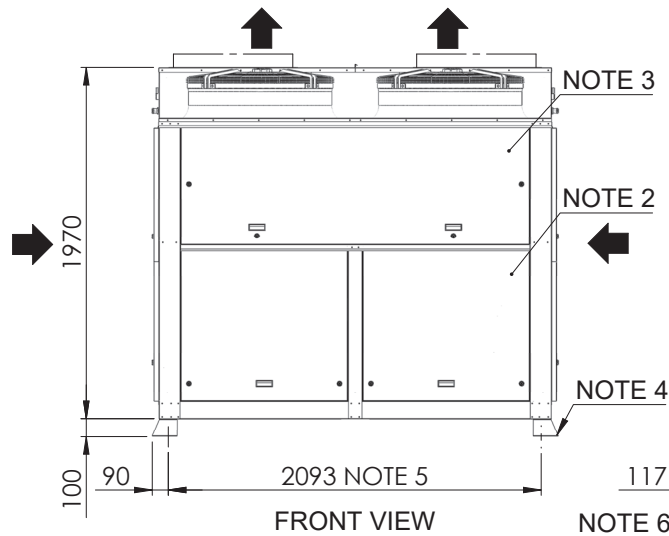


REV.		REVISIONS	
REV. BY	DATE	DETAILS	
0	EW 26/05/2021	PRELIMINARY DRAWING	
1	EW 10/08/2021	COMMON ELECTRICAL BOX ADDED	
2	EW 14/02/2022	PLUG-IN ADDED FOR PACKAGE ARRANGEMENT	
3	EW 21/03/2022	DIMENSIONS ADDED	
4	EW 20/03/2023	COIL GUARDS ADDED & AV MOUNT UPDATED	



- NOTE:**
- EVAPORATOR CABINET SERVICE ACCESS
 - COMPRESSOR CABINET SERVICE ACCESS
 - ELECTRICAL SWITCH BOARD
 - TRANSPORTATION FEET (REMOVAL IS OPTIONAL)
 - AV MOUNTING LOCATIONS (Ø12 mm)
 - RECOMMENDED LIFTING POINTS (SPREADER BARS REQUIRED)
 - EVAPORATOR COIL CONDENSATE DRAIN (Ø20 mm PVC)
 - CONDENSER COIL CONDENSATE DRAIN (2 x Ø20 mm PVC)
 - COIL GUARDS (OPTIONAL)
 - DUCTING OPTIONS:
 - OPTION 1 - TOP S/A
 - OPTION 2 - TOP R/A
- OPPOSITE HANDINGS FOR ALL OPTIONS

POINT LOADS (kg)							
A	B	C	D	E	F	G	H
181.5	181.5	251	251	161.5	161.5	231	231



DWG NO. CAG100010		REVISION 4	DO NOT SCALE DRAWING	 COMM AIR AUSTRALIA AIR CONDITIONING MANUFACTURER ABN 69 140 272 171 88 COCOS DRIVE BIBRA LAKE WA 6163 (08) 9244 9288	MODEL: HPA100C3AD, HPA100R3AD	<ul style="list-style-type: none"> ALL DIMENSIONS IN mm GENERAL TOLERANCE ± 1 mm DO NOT SCALE DRAWING MASTER DRAWINGS ARE HELD ELECTRONICALLY. ANY COPY IS DEEMED UNCONTROLLED AND THEREFORE NOT NECESSARILY THE LATEST REVISION ALL INFORMATION REMAINS THE PROPERTY OF COMM AIR AUSTRALIA PTY LTD
CUT SIZE	-	WEIGHT 1650 kg	SCALE 1:30		ORIGINAL SIZE: A3	
MATERIAL	-	SURFACE FINISH POWDER COATED	DRAWN BY EW	SHEET 1 OF 1	HPC125C3AD, HPC125R3AD	
QUANTITY	1		APPROVED BY MD	DESCRIPTION: GENERAL ARRANGEMENT		