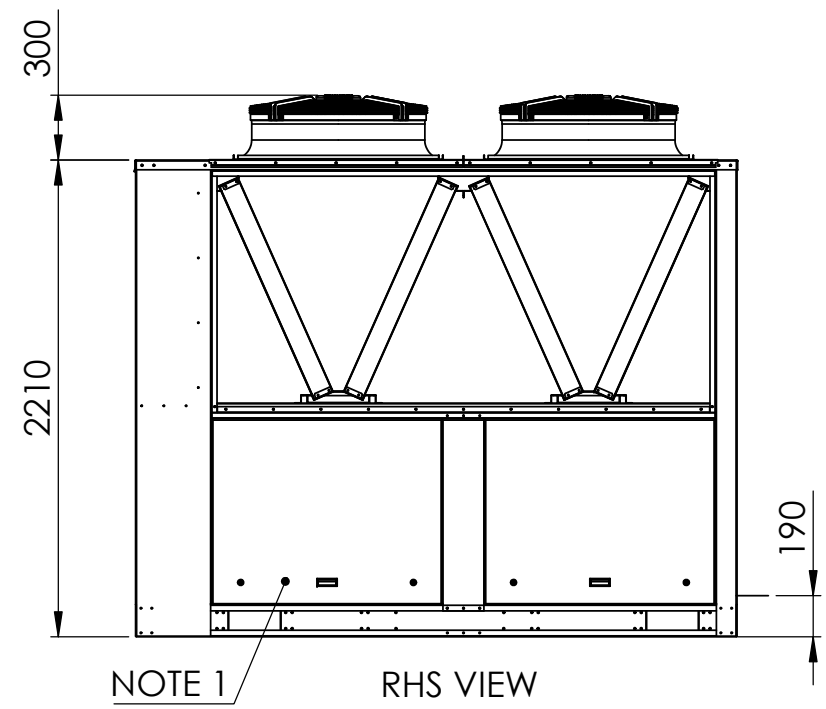
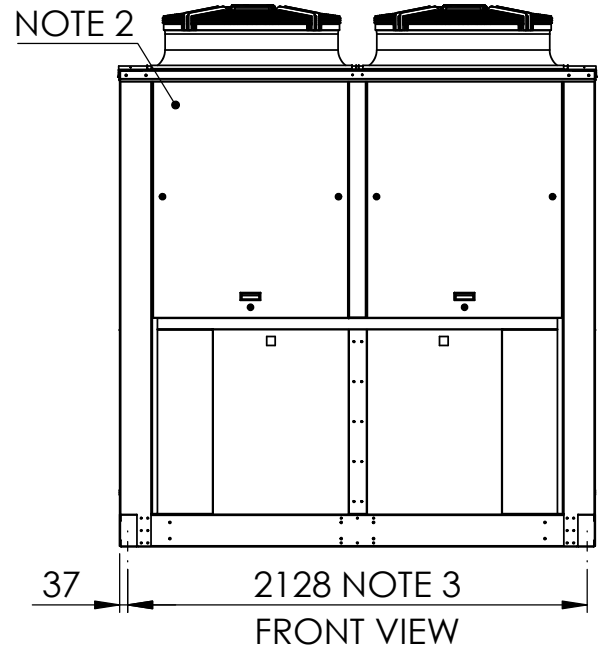
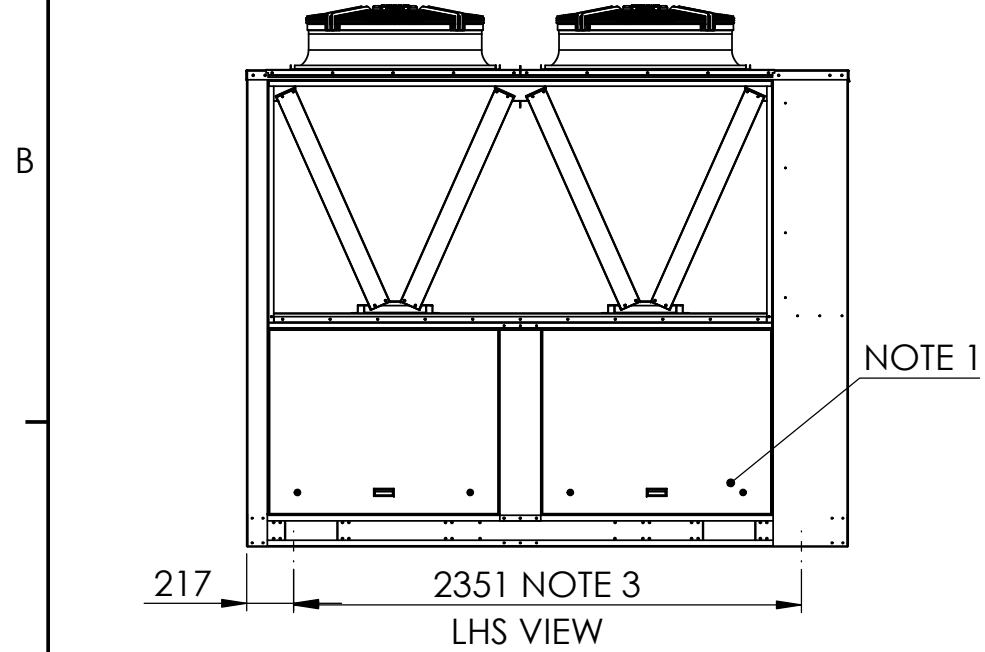
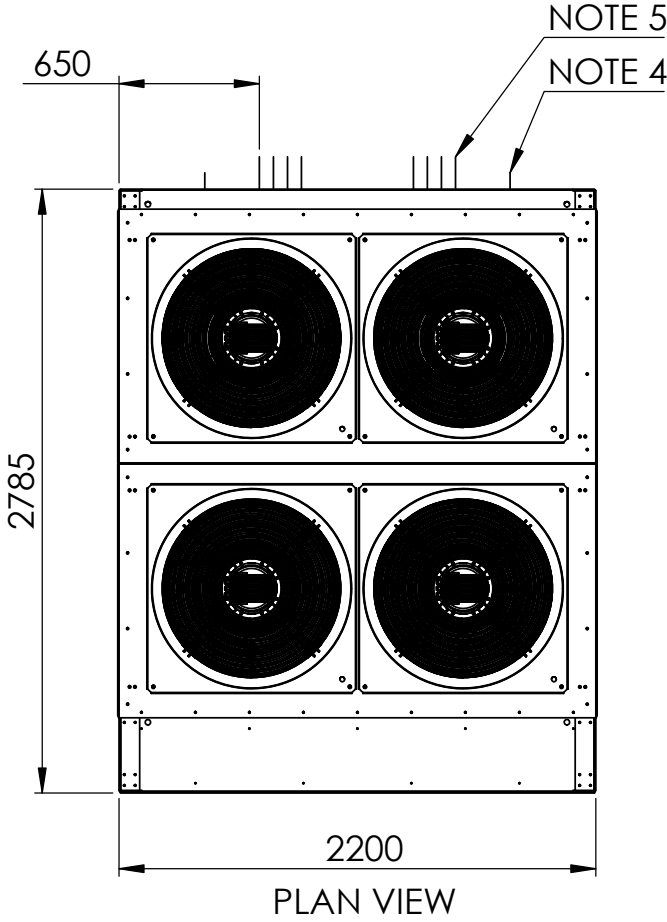
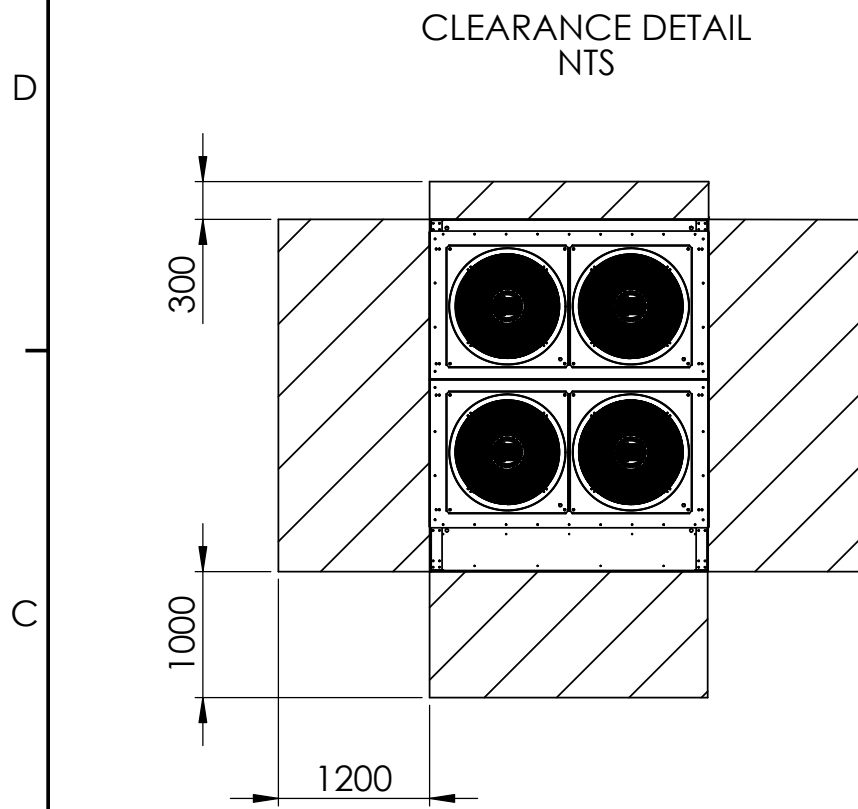



| REVISIONS | | | |
|-----------|--------|-----------|------------------------|
| REV. | REV BY | DATE | DETAILS |
| 3 | EW | 2/05/2022 | COMMON ELECT BOX ADDED |

- NOTE:**
1. COMPRESSOR CABINET SERVICE ACCESS
 2. ELECTRICAL SWITCH BOARD
 3. AV MOUNTING LOCATIONS (Ø14 mm)
 4. CONDENSER COIL CONDENSATE DRAIN (2 x Ø20 mm PVC)
 5. REFRIGERATION PIPING:

| MODEL | SUCITON | LIQUID | REHEAT (OPTIONAL) |
|---------------|------------|----------|-------------------|
| HOC/A-180C3AD | 4 x 7/8" | 4 x 5/8" | - |
| HOC/A-180R3AD | 4 x 1-1/8" | 4 x 5/8" | 4 x 5/8" |



| | | | | | | | | | | | | | |
|--------------------------|---|----------------|---------------|-------------|-----------|----------------------|---|--------|--|---------------------|--|--|--|
| DWG NO. CAG140002 | | | | REVISION | 3 | DO NOT SCALE DRAWING |  COMM AIR AUSTRALIA AIR CONDITIONING MANUFACTURERS ACN 140 272 171 68 COCOS DRIVE BIBRA LAKE WA 6163 (08) 9244 9288 | MODEL: | HOA140C3AD, HOA140R3AD, HOA160C3AD, HOA160R3AD, HOA180C3AD HOA180R3AD, HOC140C3AD, HOC140R3AD, HOC160C3AD, HOC160R3AD HOC180C3AD, HOC180R3AD, HRX140C3AD, HRX140R3AD, HRX160C3AD HRX160R3AD, HRX180R3AD, HRX180C3AD | | | <ul style="list-style-type: none"> • ALL DIMENSIONS IN mm • GENERAL TOLERANCE ± 1 mm • DO NOT SCALE DRAWING • MASTER DRAWINGS ARE HELD ELECTRONICALLY. ANY COPY IS DEEMED UNCONTROLLED AND THEREFORE NOT NECESSARILY THE LATEST REVISION • ALL INFORMATION REMAINS THE PROPERTY OF COMM AIR AUSTRALIA PTY LTD | |
| | | | | DATE | 2/05/2022 | ORIGINAL SIZE: | | A3 | DESCRIPTION: | GENERAL ARRANGEMENT | | | |
| CUT SIZE | - | WEIGHT | 1750 kg | SCALE | 1:35 | | | | | | | | |
| MATERIAL | - | SURFACE FINISH | POWDER COATED | DRAWN BY | EW | SHEET 1 OF 1 | | | | | | | |
| QUANTITY | 1 | | | APPROVED BY | MD | | | | | | | | |