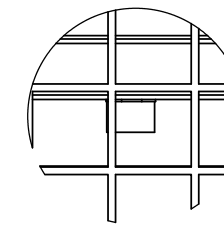


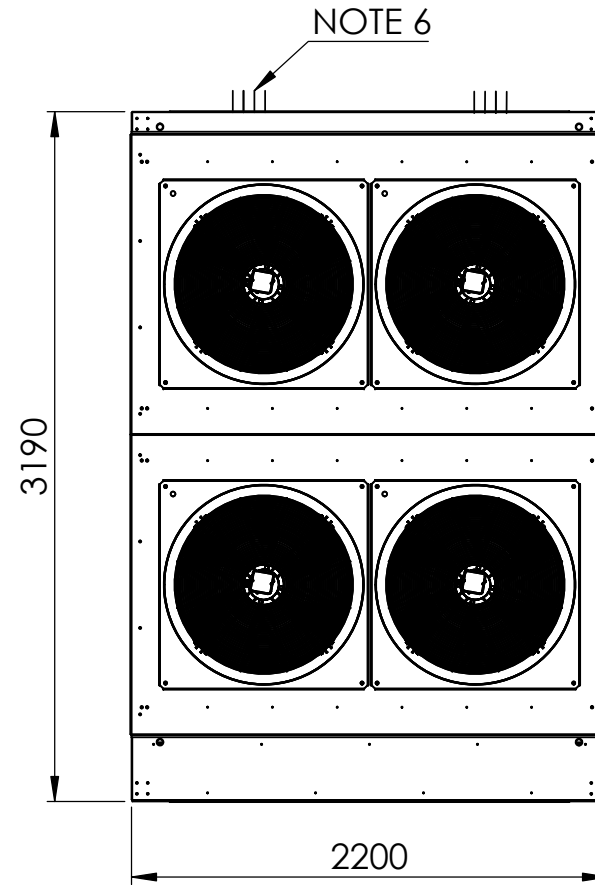
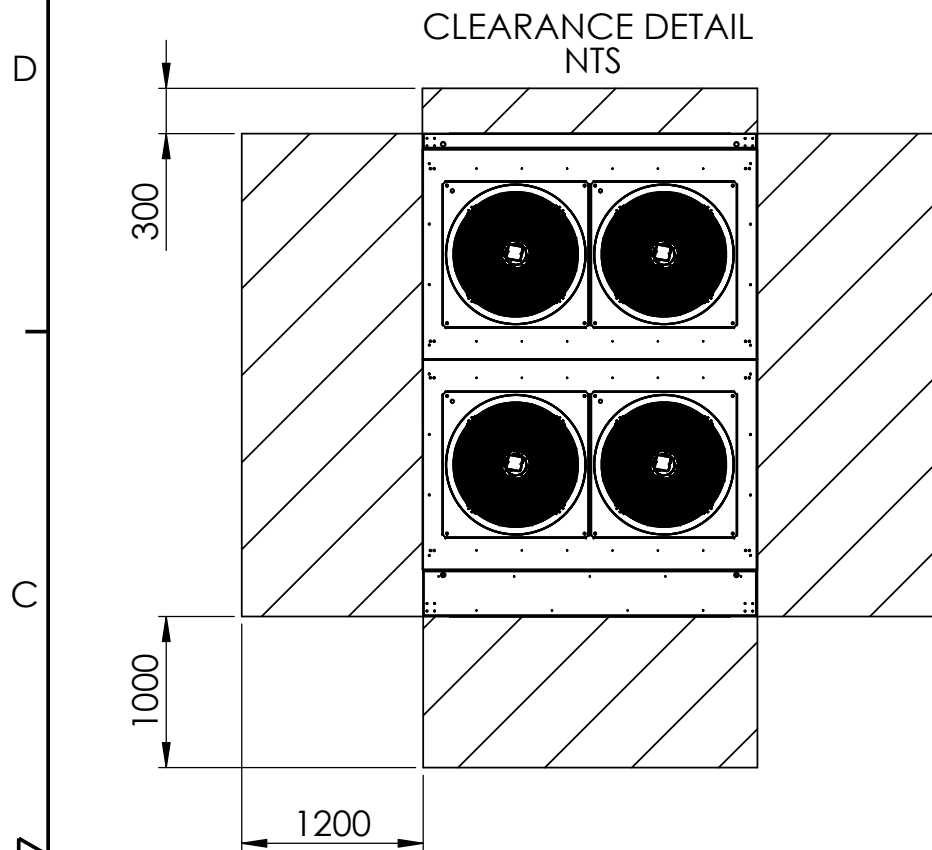
REVISIONS			
REV.	REV BY	DATE	DETAILS
5	EW	31/05/2022	COMMON ELECT BOX ADDED
6	EW	24/05/2023	COIL GUARDS ADDED

- NOTE:**
- COMPRESSOR CABINET SERVICE ACCESS
 - ELECTRICAL SWITCH BOARD
 - AV MOUNTING LOCATIONS (Ø14 mm)
 - CONDENSER COIL CONDENSATE DRAIN (4 x Ø20 mm PVC)
 - COIL GUARDS (OPTIONAL)
 - REFRIGERATION PIPING:

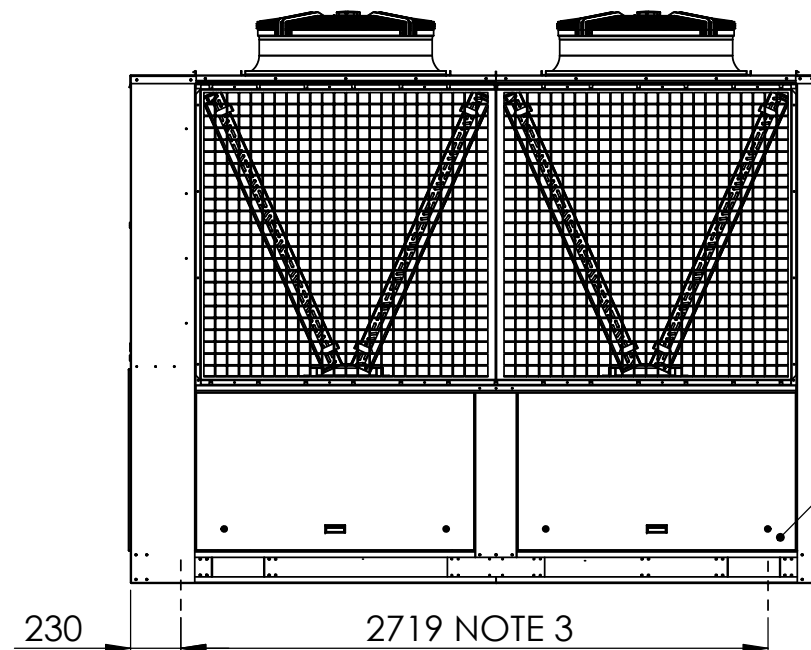
MODEL	SUCTION	LIQUID	REHEAT (OPTIONAL)
HOC/A 200-250R3AD	4 x 1-3/8"	4 x 5/8"	4 x 5/8"



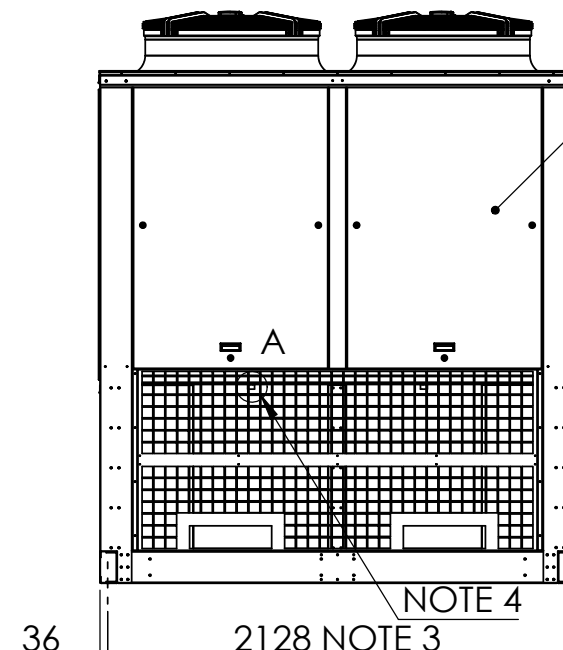
DETAIL A
SCALE 1 : 5



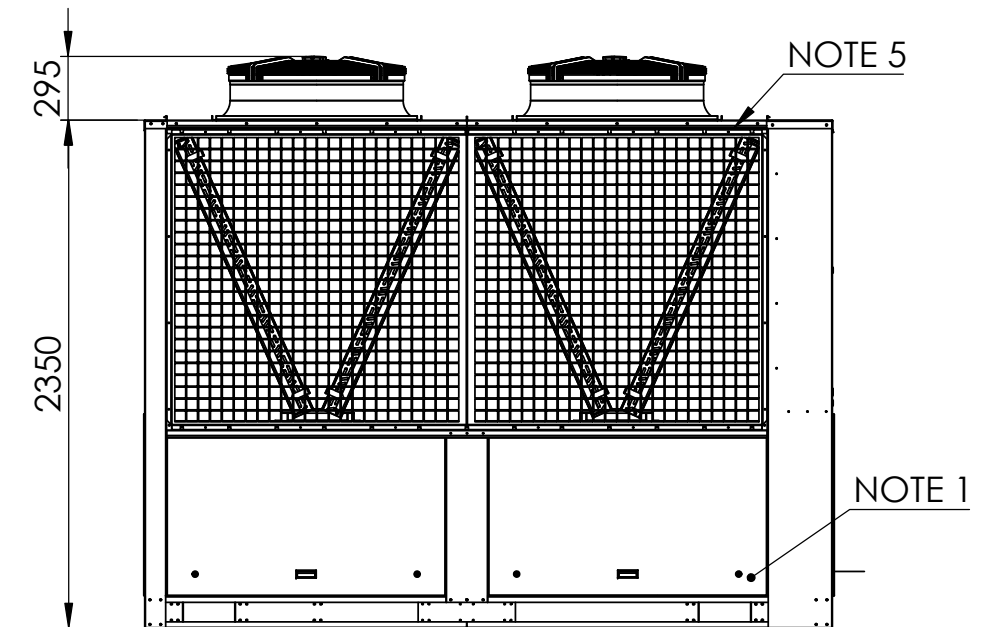
PLAN VIEW



LHS VIEW



FRONT VIEW



RHS VIEW

DWG NO. CAG190003				REVISION	6	DO NOT SCALE DRAWING
				DATE	29/06/2023	ORIGINAL SIZE:
				SCALE	1:35	A3
CUT SIZE	-	WEIGHT	1740 kg	DRAWN BY	EW	SHEET 1 OF 1
MATERIAL	-	SURFACE FINISH	POWDER COATED	APPROVED BY	MD	
QUANTITY	1					

CAA
COMM AIR AUSTRALIA
AIR CONDITIONING MANUFACTURERS

ACN 140 272 171
68 COCOS DRIVE
BIBRA LAKE WA 6163
(08) 9244 9288

MODEL:	HOA200C3AD, HOA200R3AD, HOA225C3AD, HOA225R3AD, HOA250C3AD, HOA250R3AD
DESCRIPTION:	HOC200C3AD, HOC200R3AD, HOC225C3AD, HOC225R3AD, HOC250C3AD, HOC250R3AD

ALL DIMENSIONS IN mm
GENERAL TOLERANCE ± 1 mm
DO NOT SCALE DRAWING
MASTER DRAWINGS ARE HELD ELECTRONICALLY. ANY COPY IS DEEMED UNCONTROLLED AND THEREFORE NOT NECESSARILY THE LATEST REVISION
ALL INFORMATION REMAINS THE PROPERTY OF COMM AIR AUSTRALIA PTY LTD

GENERAL ARRANGEMENT