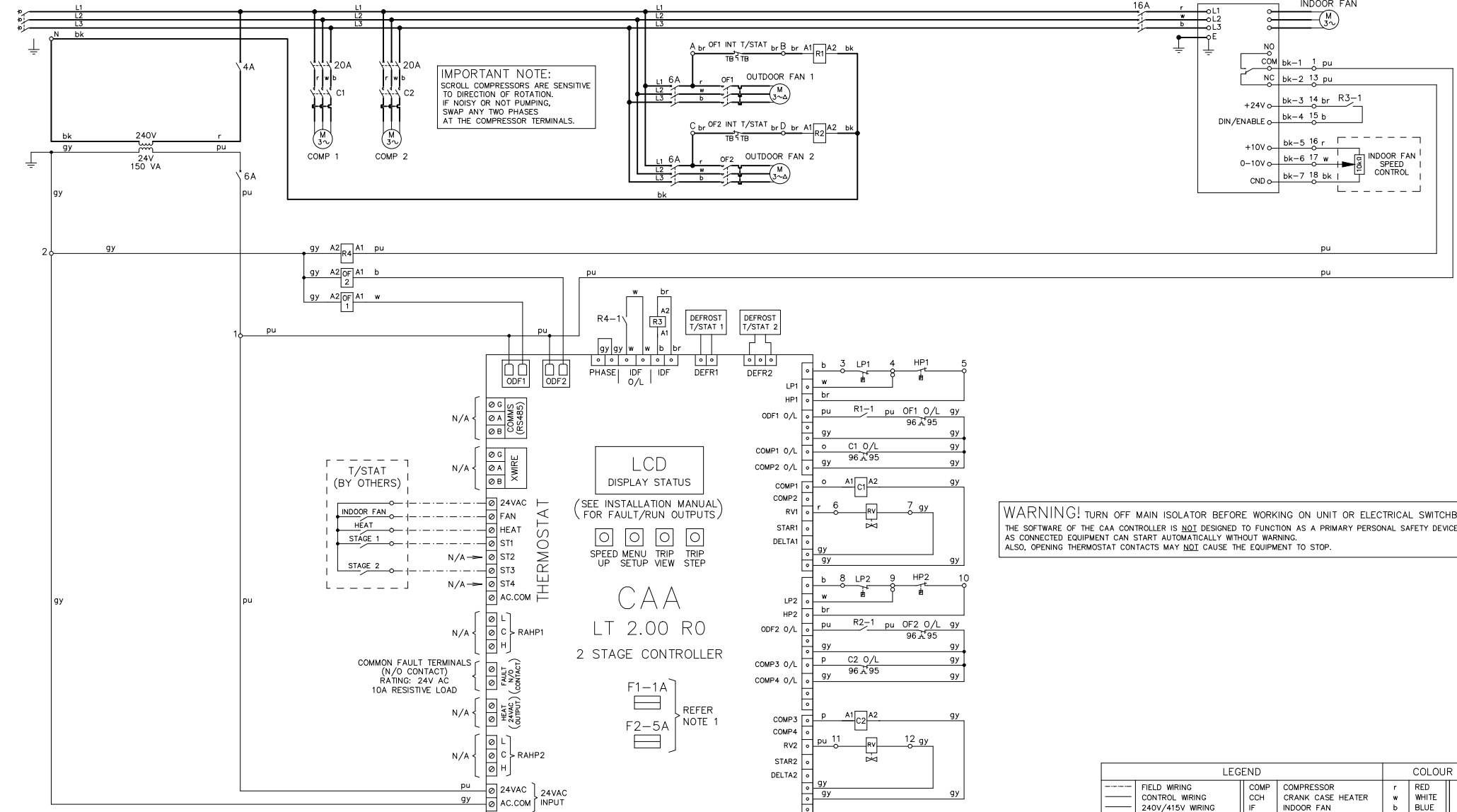
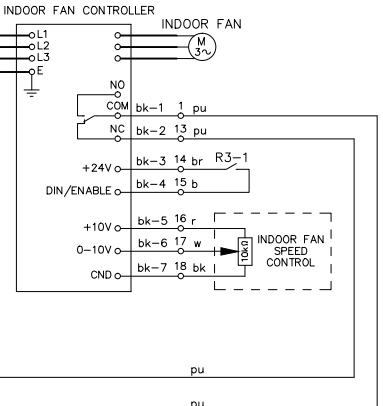


MAIN SWITCH 80A.



IMPORTANT NOTE:
SCROLL COMPRESSORS ARE SENSITIVE TO DIRECTION OF ROTATION. IF NOISY OR NOT PUMPING, SWAP ANY TWO PHASES AT THE COMPRESSOR TERMINALS.



WARNING! TURN OFF MAIN ISOLATOR BEFORE WORKING ON UNIT OR ELECTRICAL SWITCHBOARD. THE SOFTWARE OF THE CAA CONTROLLER IS NOT DESIGNED TO FUNCTION AS A PRIMARY PERSONAL SAFETY DEVICE, AS CONNECTED EQUIPMENT CAN START AUTOMATICALLY WITHOUT WARNING. ALSO, OPENING THERMOSTAT CONTACTS MAY NOT CAUSE THE EQUIPMENT TO STOP.

- NOTES:
1. TIME DELAY GLASS FUSES ON THE PCB CONTROLLER ARE THE FOLLOWING:
 - F1 PROTECTS THE THERMOSTAT CIRCUIT.
 - F2 PROTECTS THE COMPRESSOR CONTACTOR CIRCUITS, OUTDOOR FAN HI/LO CONTACTOR CIRCUITS, REVERSING VALVE CIRCUITS AND THE "HEAT" OUTPUT.
 2. TERMINALS: A, B, C AND D ARE 240V AC. TERMINALS: 1-13 ARE 24V AC. TERMINALS: 14-15 ARE 24V DC. TERMINALS: 16-18 ARE 10V DC.
 3. HP AND LP SWITCHES ARE AUTO RESET. CAA CONTROLLER PROVIDES LOCKOUT FUNCTION.
 4. THERMAL OVERLOAD RELAYS FOR COMPRESSORS & OUTDOOR FANS ARE AUTO RESET. FAULT RELAY FOR INDOOR FAN IS MANUAL RESET. CAA CONTROLLER PROVIDES LOCKOUT FUNCTION.
 5. ALL FIELD WIRING IS THE RESPONSIBILITY OF THE INSTALLING CONTRACTOR AND MUST COMPLY WITH AS/NZS 3000 AND LOCAL RULES.
 6. SOFTWARE CODE MUST BE CHECKED AFTER REPLACEMENT OF THE CAA CONTROLLER BY CHECKING THE DISPLAY CODE ON THE LCD DISPLAY AFTER THE CONTROLLER IS ACTIVATED.
 7. DO NOT CONNECT ANY ADDITIONAL EQUIPMENT TO THE CONTROL TRANSFORMER OTHER THAN THE EQUIPMENT SHOWN ON THE ELECTRICAL DRAWING.

LCD DISPLAY STATUS
(SEE INSTALLATION MANUAL FOR FAULT/RUN OUTPUTS)

SPEED MENU TRIP TRIP
UP SETUP VIEW STEP

CAA
LT 2.00 R0
2 STAGE CONTROLLER

F1-1A }
F2-5A } REFER NOTE 1

LEGEND				COLOUR CODE			
---	FIELD WIRING	COMP	COMPRESSOR	r	RED	o	ORANGE
---	CONTROL WIRING	CCH	CRANK CASE HEATER	w	WHITE	p	PINK
---	240V/415V WIRING	IF	INDOOR FAN	b	BLUE	pu	PURPLE
---	CONTROL PARAMETER	OF	OUTDOOR FAN	bk	BLACK	yell	YELLOW
○	SWITCHBOARD TERMINAL	O/L	THERMAL OVERLOAD	br	BROWN		
RV	REVERSING VALVE	HP	HIGH PRESSURE SWITCH	gy	GREY		
		LP	LOW PRESSURE SWITCH	gn	GREEN		

MODEL:	HPA025R3AC		
REF	OPTIONS DESCRIPTION		
-----	OUTDOOR FANS USED ROSENBERG: AKSD 630-6-6 N.5KA A6.		
-----	OUTDOOR FAN MOTORS USED DELTA CONNECTION		
-----	INDOOR FAN USED ROSENBERG: GKHM 450-CIB.140.6IF IE GEN.3.		
-----	MAINS SWITCH 80A.		
-----	COMPRESSOR USED DANFOSS HRH044U4LC8.		

COMPRESSOR		DRAWING No	EL0250112	
INPUT POWER kW	3.92	REV	o	DATE 27.03.2023
RATED LOAD AMP	8.6	GRD	---	DRAWN <i>P.V</i>
OVERLOAD SETTING	10			APPROVED <i>M.D</i>
FANS (EACH)	kW	FLA		
OUTDOOR	0.68	1.45		
INDOOR	4.5	7.0		
CONTROL	150VA	0.66		

