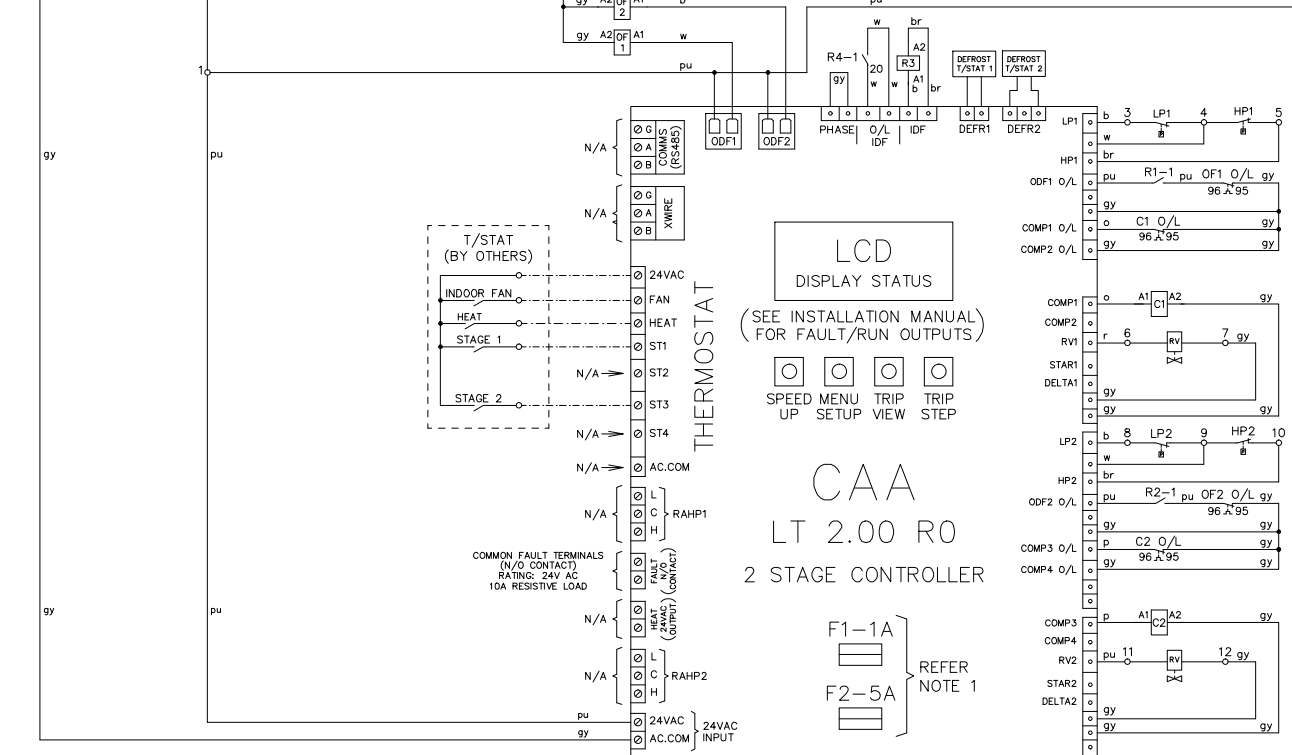
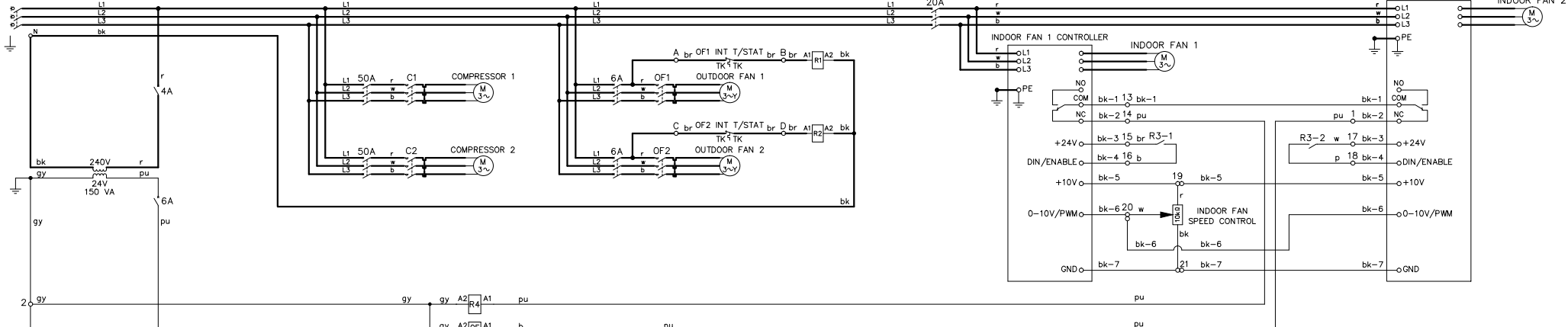


NOTE: MAIN ISOLATOR SWITCH SUPPLIED BY OTHERS.



IMPORTANT NOTE:
 SCROLL COMPRESSORS ARE SENSITIVE TO DIRECTION OF ROTATION. IF NOISY OR NOT PUMPING, SWAP ANY TWO PHASES AT THE COMPRESSOR TERMINALS.

WARNING! ISOLATE THE EQUIPMENT BEFORE WORKING ON UNIT OR ELECTRICAL SWITCHBOARD. THE SOFTWARE OF THE CAA CONTROLLER IS NOT DESIGNED TO FUNCTION AS A PRIMARY PERSONAL SAFETY DEVICE. AS CONNECTED EQUIPMENT CAN START AUTOMATICALLY WITHOUT WARNING. ALSO, OPENING THERMOSTAT CONTACTS MAY NOT CAUSE THE EQUIPMENT TO STOP.

- NOTES:
- DESIGNATION OF THE TIME DELAYED GLASS FUSES:
 - F1 PROTECTS THE THERMOSTAT CIRCUIT.
 - F2 PROTECTS THE COMPRESSOR CONTACTOR CIRCUITS, OUTDOOR FAN HI/LO CONTACTOR CIRCUITS, REVERSING VALVE CIRCUITS AND THE "HEAT" OUTPUT.
 - TERMINALS: A-D ARE 240V AC. TERMINALS: 1-14 ARE 24V AC. TERMINALS: 19-21 ARE 10V DC. TERMINALS: 15-18 ARE 24V DC.
 - HP AND LP SWITCHES ARE AUTO RESET. CAA CONTROLLER PROVIDES LOCKOUT FUNCTION.
 - THERMAL OVERLOAD RELAYS FOR COMPRESSORS ARE AUTO RESET. CAA CONTROLLER PROVIDES LOCKOUT FUNCTION.
 - ALL FIELD WIRING IS THE RESPONSIBILITY OF THE INSTALLING CONTRACTOR AND MUST COMPLY WITH AS/NZS 3000 AND LOCAL RULES.
 - SOFTWARE CODE MUST BE CHECKED WHEN REPLACING THE CAA CONTROLLER. THE CODE IS DISPLAYED ON THE LCD WHEN POWER IS APPLIED TO THE PCB.
 - DO NOT CONNECT ANY ADDITIONAL EQUIPMENT TO THE CONTROL TRANSFORMER OTHER THAN THE EQUIPMENT SHOWN ON THE ELECTRICAL DRAWING.

LEGEND				COLOUR CODE			
---	FIELD WIRING	COMP	COMPRESSOR	r	RED	o	ORANGE
---	CONTROL WIRING	CCH	CRANK CASE HEATER	w	WHITE	p	PINK
---	240V/415V WIRING	IF	INDOOR FAN	b	BLUE	pu	PURPLE
---	CONTROL PARAMETER	OF	OUTDOOR FAN	bk	BLACK	br	BROWN
○	SWITCHBOARD TERMINAL	O/L	THERMAL OVERLOAD	br	BROWN	gy	GREY
RV	REVERSING VALVE	HP	HIGH PRESSURE SWITCH	gy	GREY	gn	GREEN
		LP	LOW PRESSURE SWITCH	gn	GREEN		

MODEL: HPA100R3AD		COMPRESSOR		DRAWING No		EL1000010	
REF	OPTIONS DESCRIPTION	INPUT POWER kW	13.73	REV	0	DATE	03.04.2023
		RATED LOAD AMP	27.6	GRD	---	DRAWN	P.V
		OVERLOAD SETTING	29			APPROVED	M.D
		FANS (EACH)	kW	FLA			
		OUTDOOR	1.7	3.7			
		INDOOR	4.28	6.55			
		CONTROL	150VA	0.66			



COMPRESSORS USED DANFOSS SH184A4ALC.
 OUTDOOR FANS USED ROSENBERG AKFD 800-6-6K.6LA A6.
 OUTDOOR FAN MOTORS USED DELTA CONNECTION.
 INDOOR FAN USED ROSENBERG FAN GKHM 560-CIE.175.6IF IE GEN3.
 MAIN SWITCH 100A.