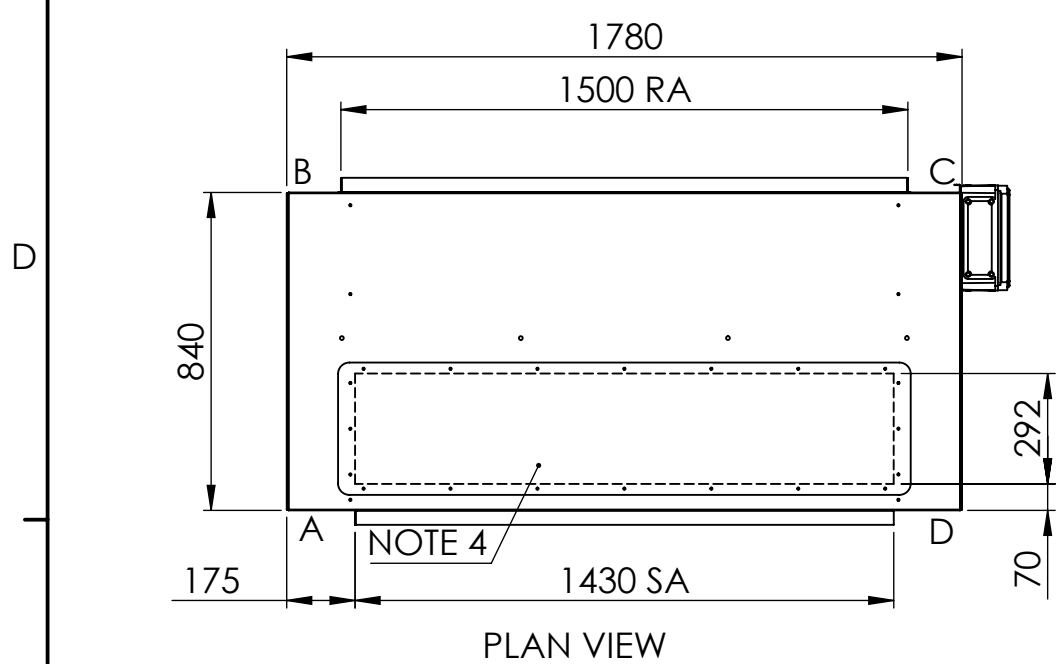


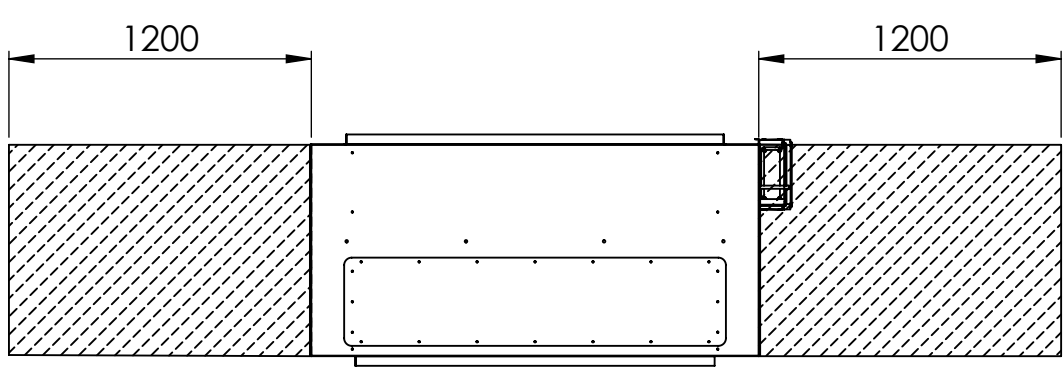
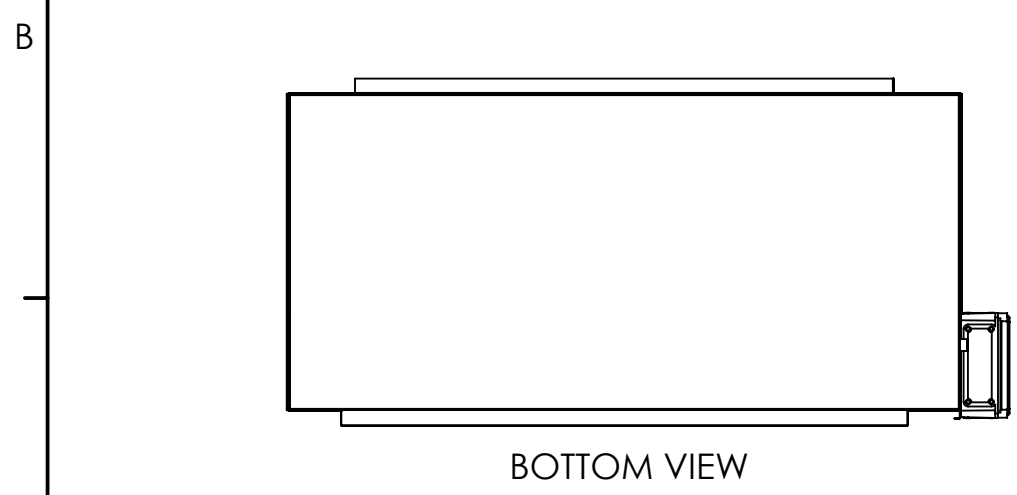
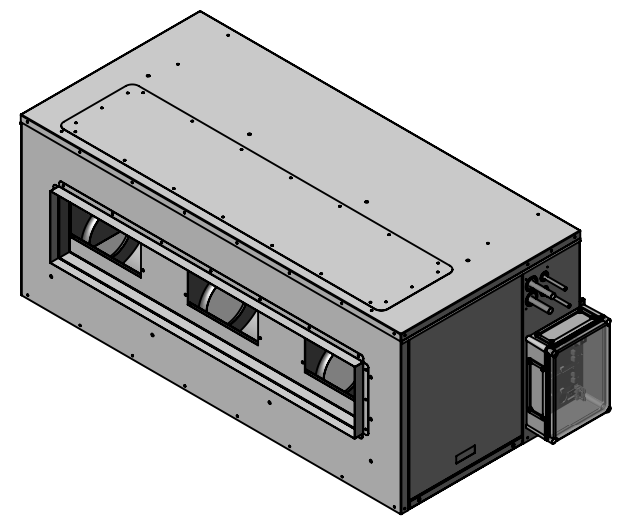
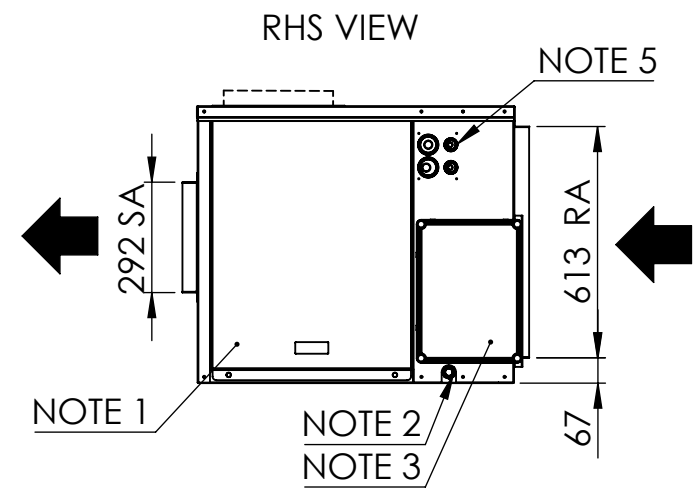
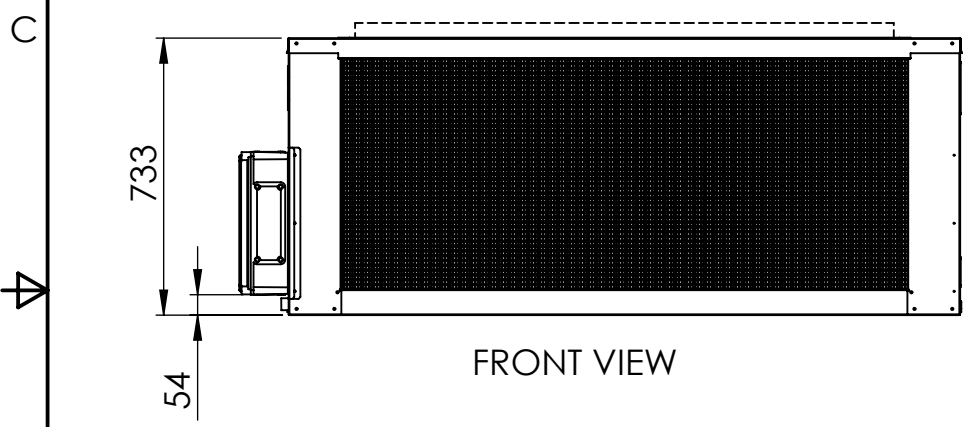
6 5 4 3 2 1

- NOTE:**
1. EVAPORATOR CABINET SERVICE ACCESS
 2. CONDENSATE DRAIN (1 x Ø20 mm PVC)
 3. ELECTRICAL BOX (380 x 280 x 100 mm)
 4. DUCTING OPTIONS - TOP SA
 5. REFRIGERATION PIPING (SEE TABLE BELOW)



POINT LOADS (kg)			
A	B	C	D
77.5	77.5	77.5	77.5

	SUCTION	LIQUID	REHEAT (OPTIONAL)	HOT GAS BYPASS (OPTIONAL)
HIA045R3AE	2 X 7/8"	2 X 1/2"	2 X 1/2"	2 X 1/2"
HIA045C3AE	2 X 7/8"	2 X 1/2"	2 X 1/2"	2 X 1/2"



REVISIONS			
REV.	REV BY	DATE	DETAILS
0	SP	17/04/2019	PRELIMINARY DRAWING
1	EW	26/05/2022	LABEL VIEWS UPDATED
2	AD	6/07/2023	POINT LOADS ADDED

DWG NO. CAG045036		REVISION 2	DO NOT SCALE DRAWING
CUT SIZE	-	DATE 6/07/2023	ORIGINAL SIZE: A3
MATERIAL	-	SCALE 1:20	SHEET 1 OF 1
WEIGHT	310 kg	DRAWN BY EW	APPROVED BY MD
SURFACE FINISH	POWDER COATED		



MODEL: HIA045R3AE, HIA045C3AE	<ul style="list-style-type: none"> ALL DIMENSIONS IN mm GENERAL TOLERANCE ± 1 mm DO NOT SCALE DRAWING MASTER DRAWINGS ARE HELD ELECTRONICALLY. ANY COPY IS DEEMED UNCONTROLLED AND THEREFORE NOT NECESSARILY THE LATEST REVISION ALL INFORMATION REMAINS THE PROPERTY OF COMM AIR AUSTRALIA PTY LTD
DESCRIPTION: GENERAL ARRANGEMENT	

6 5 4 3 2 1