

Installation guide

# Thermostatic expansion valve Type TR6

067R9508

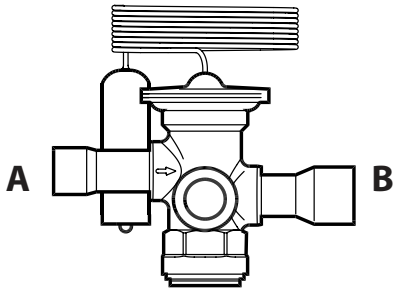


067R9508



**Refrigerants:**  
R22/R407C, R410A, R32 and R454B

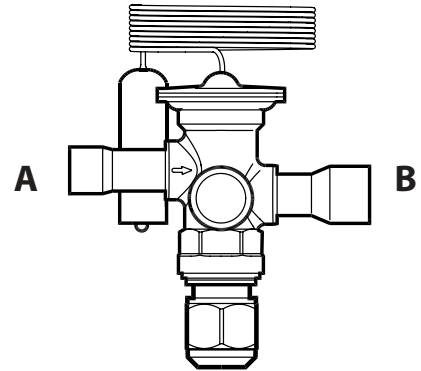
**Max. working pressure:**  
PS / MWP = 49 bar / 711 psig



Fixed setting

Flow direction:  
 →  
 Normal: A → B  
 ←  
 Reverse: B → A

$Q_{nom. A \rightarrow B} [kW / TR] = 100\%$   
 $Q_{nom. B \rightarrow A} [kW / TR] = 80\%$



Adjustable setting

Max. 100 °C / 212 °F

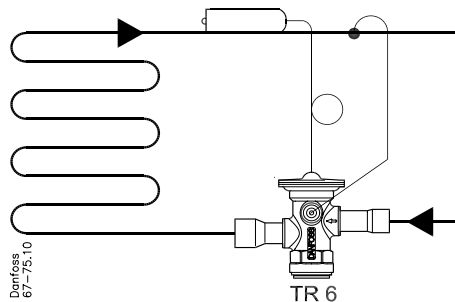
Max. 130 °C / 265 °F

Short-lived peak 150 °C / 300 °F

R22 / R407C MAH:	Max. 100 °C / 212 °F
R410A MAH:	Max. 75 °C / 167 °F
R410A LAH:	120 °C / 248 °F
R32 LAH:	120 °C / 248 °F
R454B LAH:	115 °C / 239 °F

Min. 5% Ag

Danfoss 67-48.11



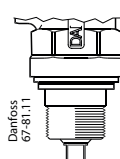
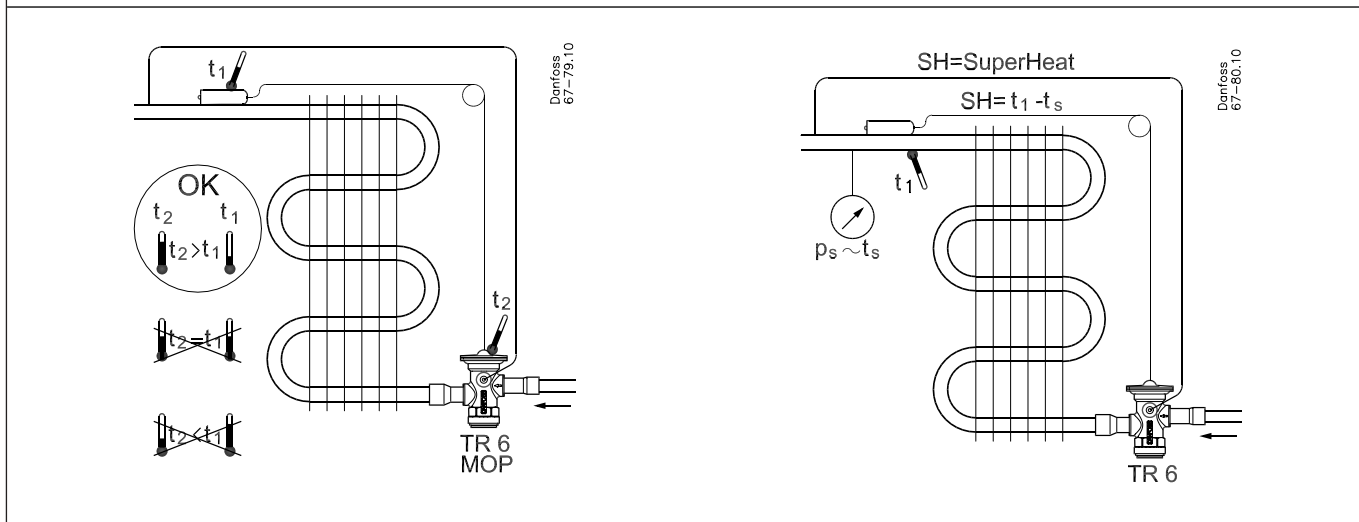
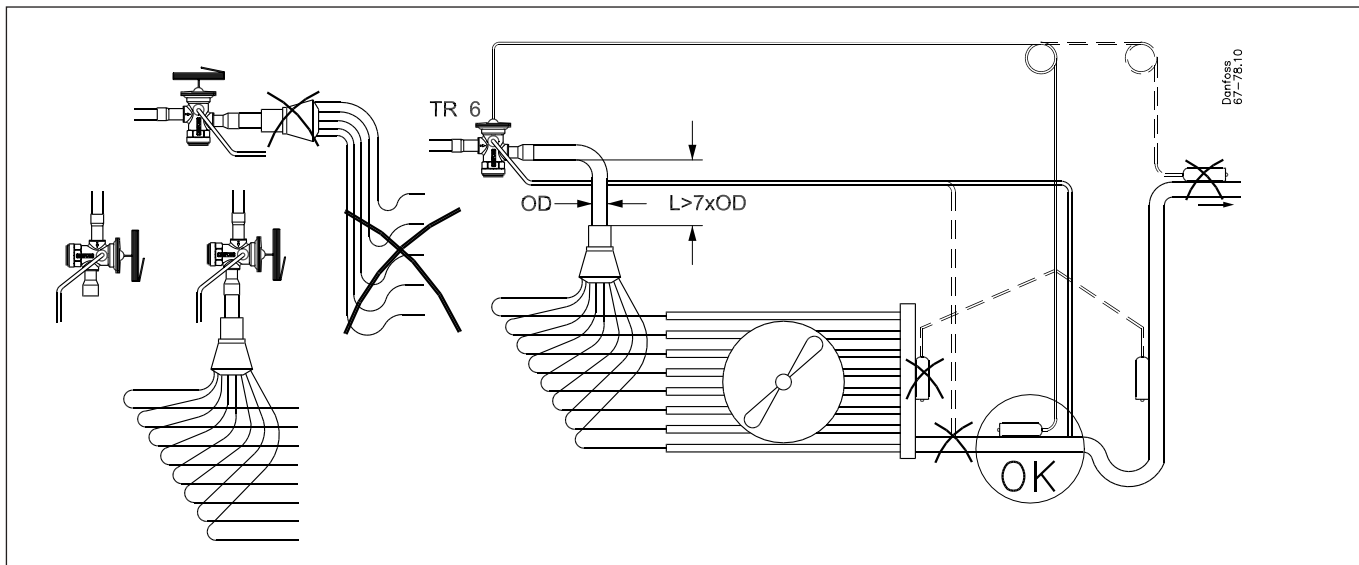
Danfoss 67-76.11

Danfoss 67-77.12

118°-29mm  
118°-32mm

3/8 - 5/8 in.  
10-16 mm

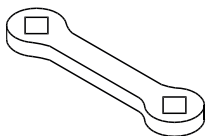
3/4 - 1 1/4 in.  
18-32 mm



Danfoss 67-81.11



Hexagon = 19 mm / 3/4 in.  
Torque = 10 Nm / 7 ft-lb



$\Delta SH / 1 \text{ turn} / 360^\circ \approx$   
R22 / R407C MAH: 1.0 °C / 1.8 °F  
R410A MAH: 0.8 °C / 1.1 °F  
R410A LAH: 1.4 °C / 2.5 °C  
R32 LAH: 1.4 °C / 2.5 °C  
R454B LAH: 1.3 °C / 2.3 °F

**Factory setting**

- R22/R407C MAH**  
SS = 4 K or according to customer specification
- R410A MAH & LAH**  
SS = 3 K or according to customer specification
- R32 LAH**  
SS: 3K or according to customer specification
- R454B LAH**  
SS: 3K or according to customer specification

Refrigerant	Number of turns from SS to <b>tight</b> spring	Number of turns from SS to <b>loose</b> spring
R22 / R407C MAH	+7.25	-4.25
R410A MAH	+9.5	-2
R410A LAH	+4.75	-4
R32 LAH	+5.25	-3.5
R454B LAH	+4	-4.25

**Danfoss A/S**  
Climate Solutions • danfoss.com • +45 7488 2222

Any information, including, but not limited to information on selection of product, its application or use, product design, weight, dimensions, capacity or any other technical data in product manuals, catalogues descriptions, advertisements, etc. and whether made available in writing, orally, electronically, online or via download, shall be considered informative, and is only binding if and to the extent, explicit reference is made in a quotation or order confirmation. Danfoss cannot accept any responsibility for possible errors in catalogues, brochures, videos and other material. Danfoss reserves the right to alter its products without notice. This also applies to products ordered but not delivered provided that such alterations can be made without changes to form, fit or function of the product. All trademarks in this material are property of Danfoss A/S or Danfoss group companies. Danfoss and the Danfoss logo are trademarks of Danfoss A/S. All rights reserved.